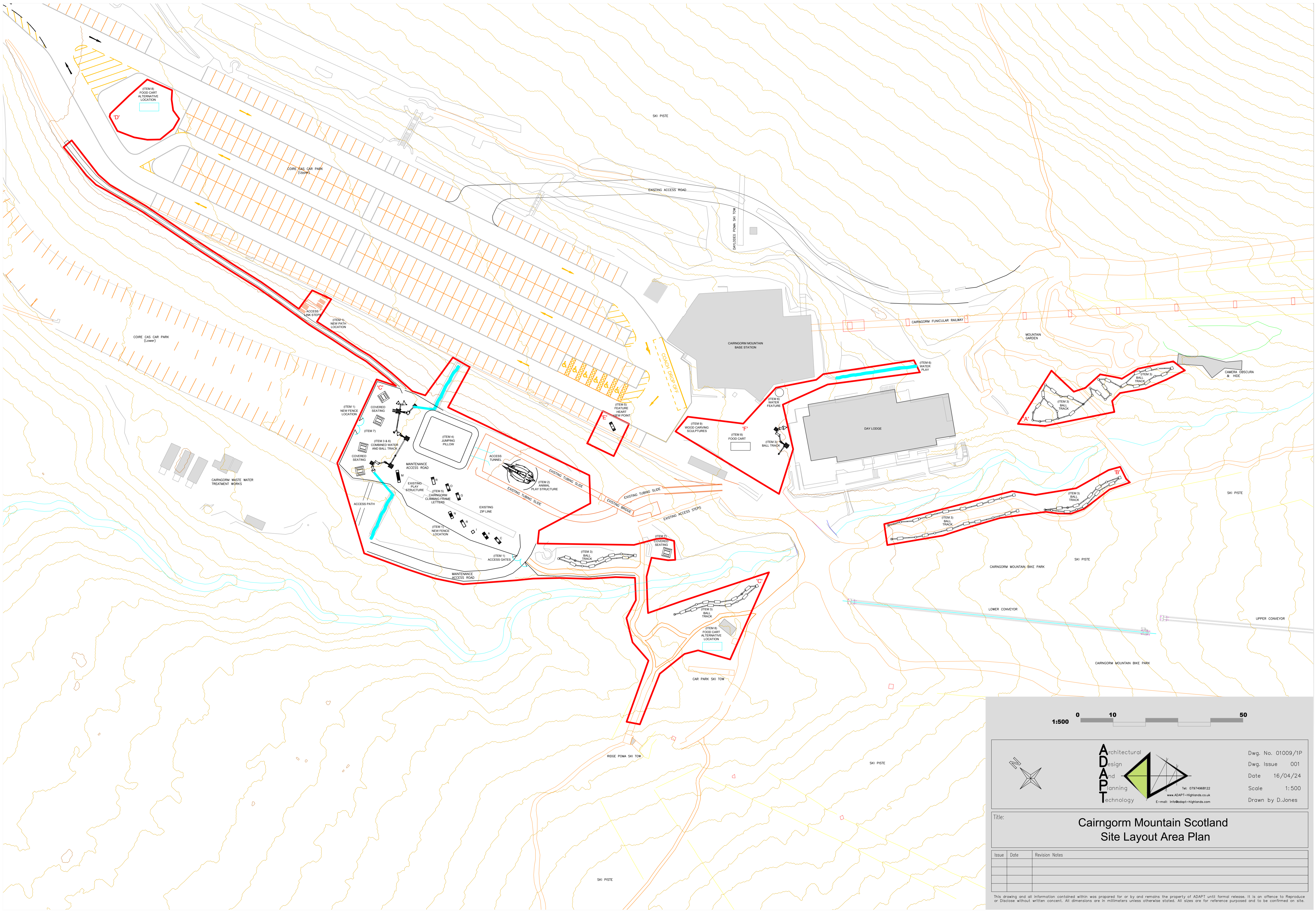


Agenda Item 11

Appendix 1

2024/0155/DET

Plans

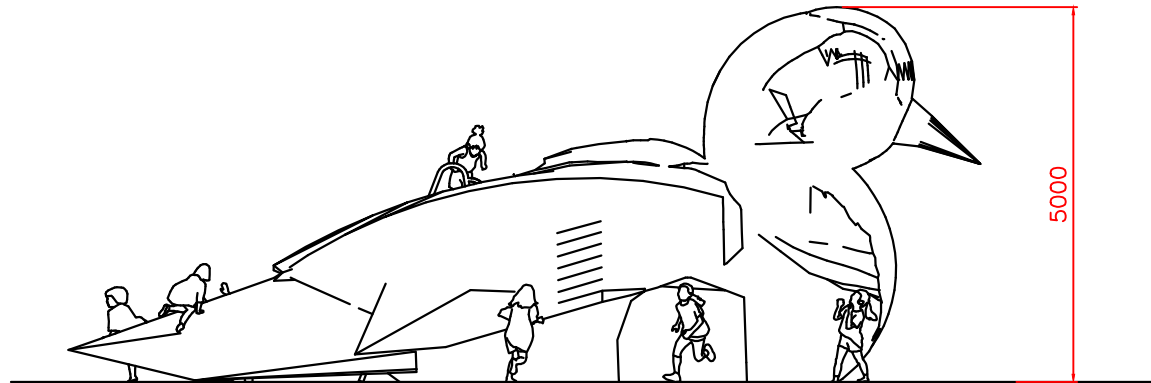


Dwg. No. 01009/1P
 Dwg. Issue 001
 Date 16/04/24
 Scale 1:500
 Drawn by D.Jones

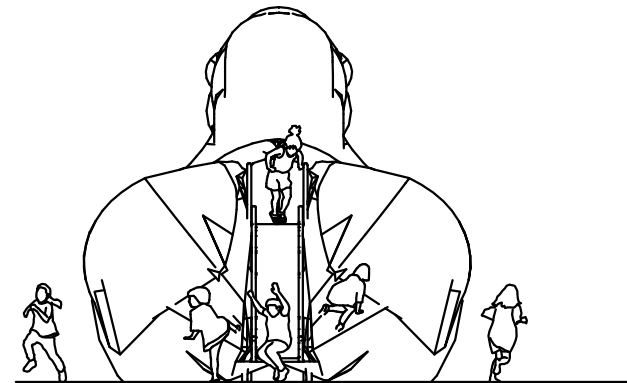
Title: **Cairngorm Mountain Scotland Site Layout Area Plan**

Issue	Date	Revision Notes

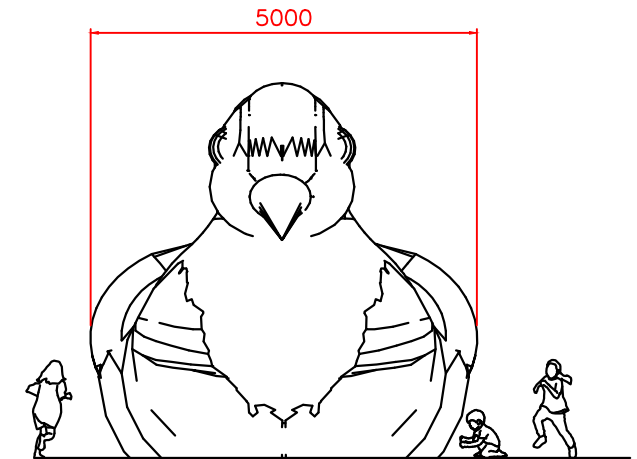
This drawing and all information contained within was prepared for or by and remains the property of ADAPT until formal release. It is an offence to Reproduce or Disclose without written consent. All dimensions are in millimeters unless otherwise stated. All sizes are for reference purposes and to be confirmed on site.



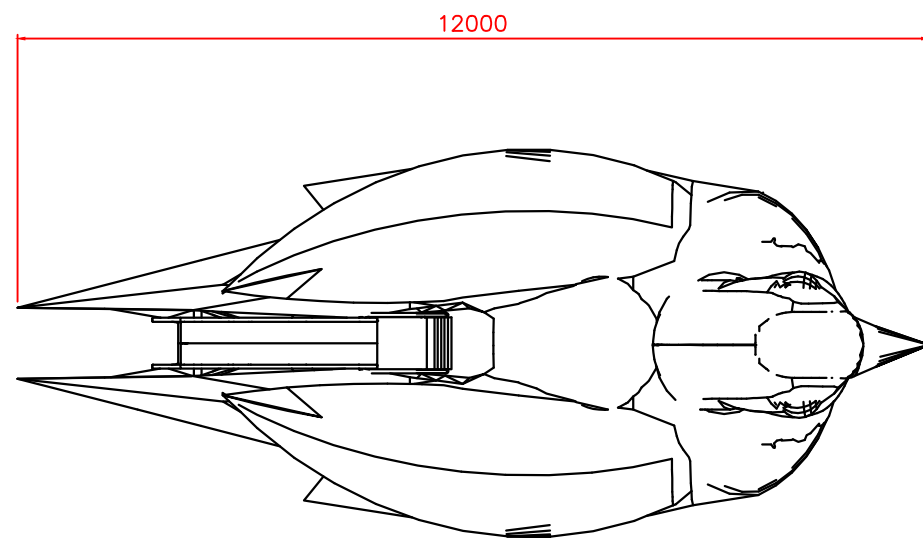
SIDE ELEVATION – 1:100



REAR ELEVATION – 1:100



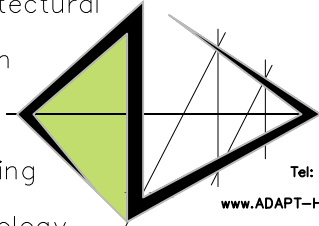
FRONT ELEVATION – 1:100



PLAN VIEW – 1:100



ADAPT Architectural
Design
and
Planning
Technology



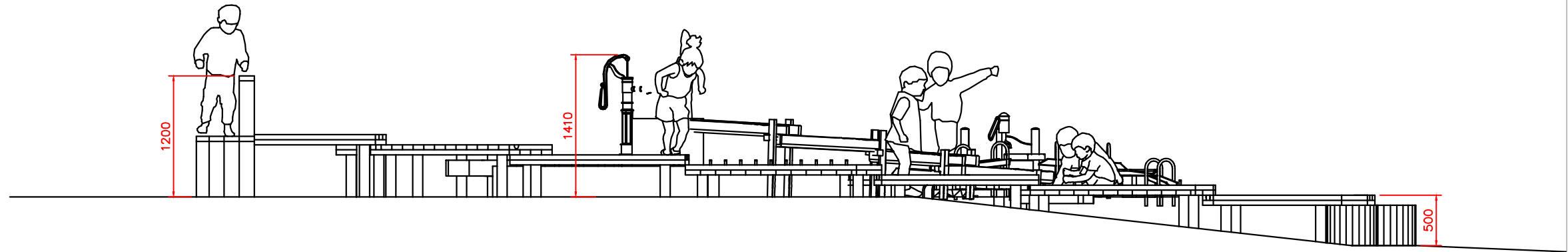
Tel: 07974968122
www.ADAPT-Highlands.co.uk
E-mail: info@adapt-highlands.com

Dwg. No. 01009/4P
Dwg. Issue 001
Date 15/02/24
Scale 1:100
Drawn by D.Jones

Title: **Cairngorm Mountain Scotland
(Item 2) Animal Play Structure**

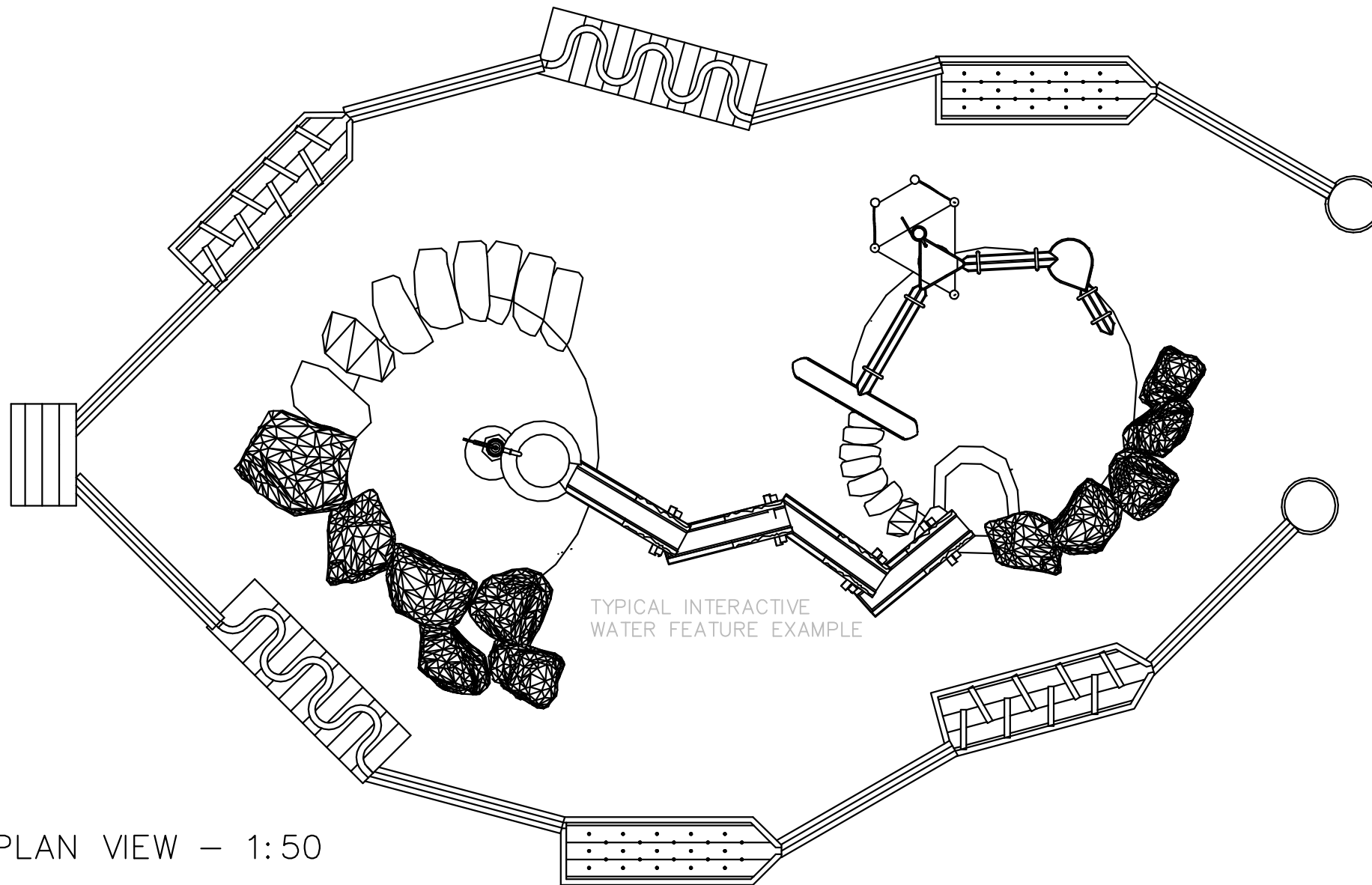
Issue	Date	Revision Notes

This drawing and all information contained within was prepared for or by and remains the property of ADAPT until formal release. It is an offence to Reproduce or Disclose without written consent. All dimensions are in millimeters unless otherwise stated. All sizes are for reference purposes and to be confirmed on site.



FRONT ELEVATION – 1:50

TYPICAL BALL TRACK EXAMPLE



TYPICAL INTERACTIVE WATER FEATURE EXAMPLE

TYPICAL BALL TRACK EXAMPLE

PLAN VIEW – 1:50



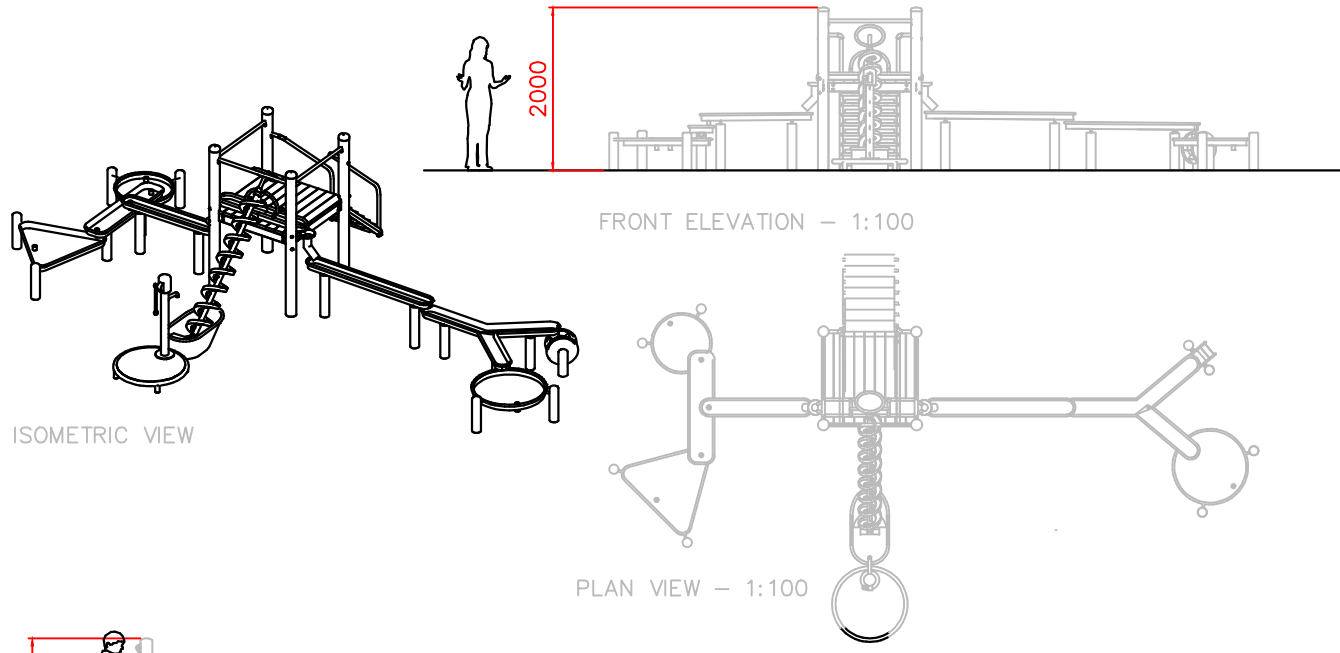
A rchitectural D esign A nd P lanning T echnology		Tel: 07974968122 www.ADAPT-Highlands.co.uk E-mail: info@adapt-highlands.com	Dwg. No. 01009/3P
			Dwg. Issue 001
			Date 15/02/24
			Scale 1:50
			Drawn by D.Jones

Title: **Cairngorm Mountain Scotland
(Item 3) Ball Track & (Item 6) Water Play**

Issue	Date	Revision Notes

This drawing and all information contained within was prepared for or by and remains the property of ADAPT until formal release. It is an offence to Reproduce or Disclose without written consent. All dimensions are in millimeters unless otherwise stated. All sizes are for reference purposes and to be confirmed on site.

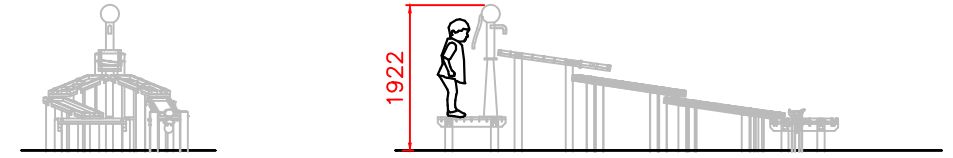
TYPICAL WATER PUMP CAULK SCREW PUMP, TWO WAY DIRECTIONAL CHANNEL AND WATER WHEEL EXAMPLE



FRONT ELEVATION - 1:100

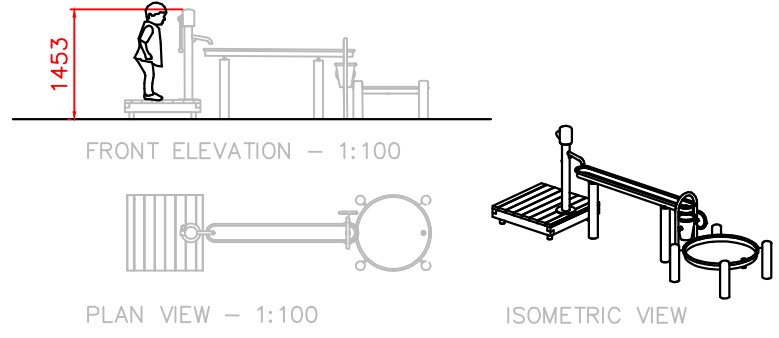
PLAN VIEW - 1:100

ISOMETRIC VIEW



ELEVATION VIEWS - 1:100

TYPICAL WATER PUMP, THREE TIER CHANNEL AND BUCKET EXAMPLE

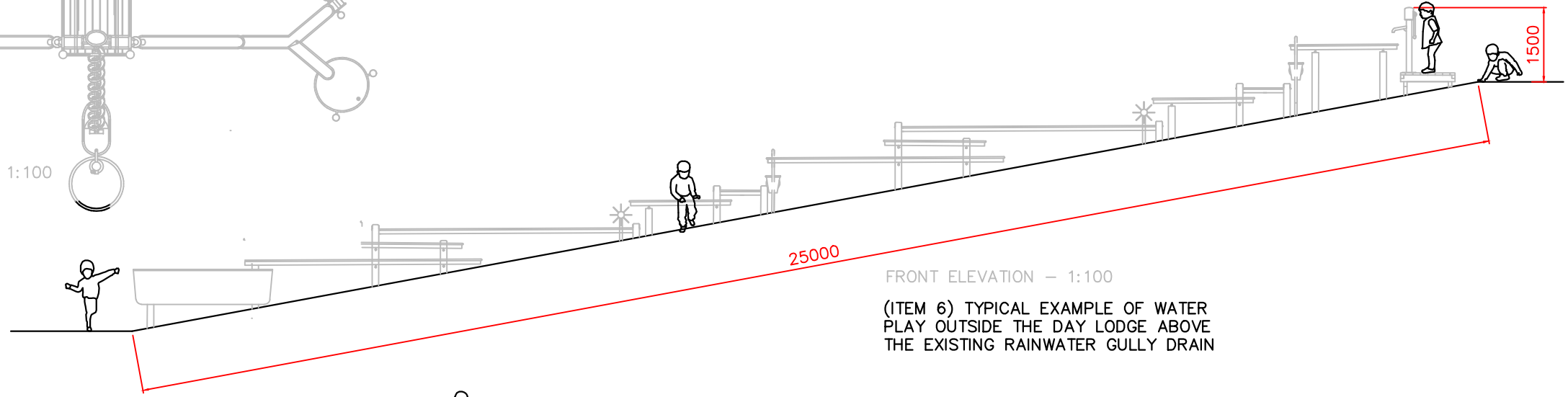


FRONT ELEVATION - 1:100

PLAN VIEW - 1:100

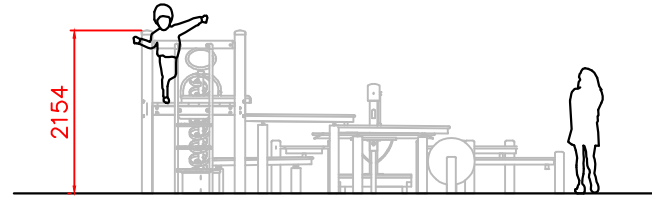
ISOMETRIC VIEW

TYPICAL WATER PUMP CHANNEL AND BUCKET EXAMPLE

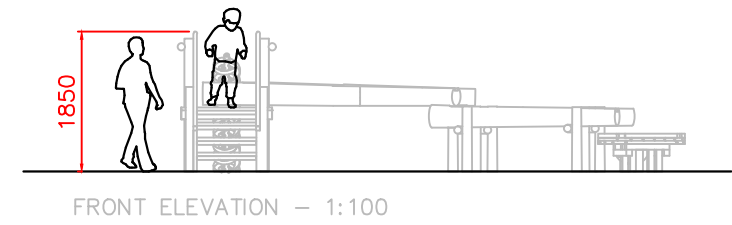


FRONT ELEVATION - 1:100

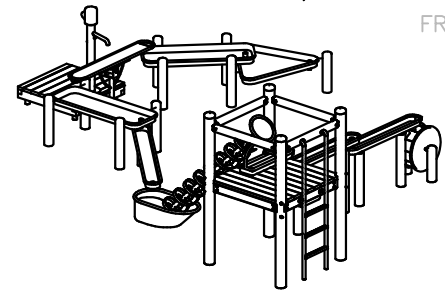
(ITEM 6) TYPICAL EXAMPLE OF WATER PLAY OUTSIDE THE DAY LODGE ABOVE THE EXISTING RAINWATER GULLY DRAIN



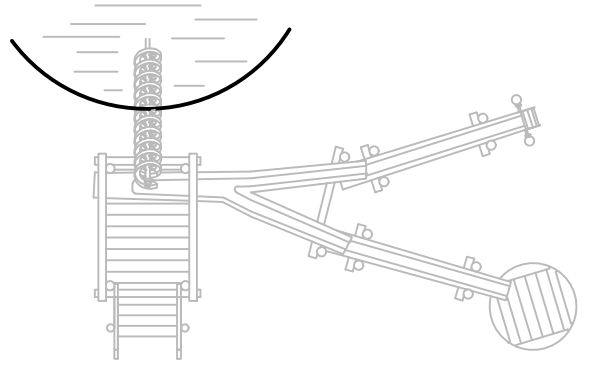
FRONT ELEVATION - 1:100



FRONT ELEVATION - 1:100

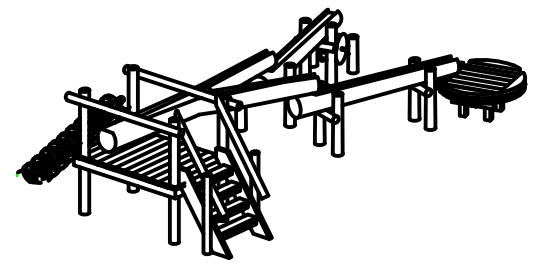


ISOMETRIC VIEW

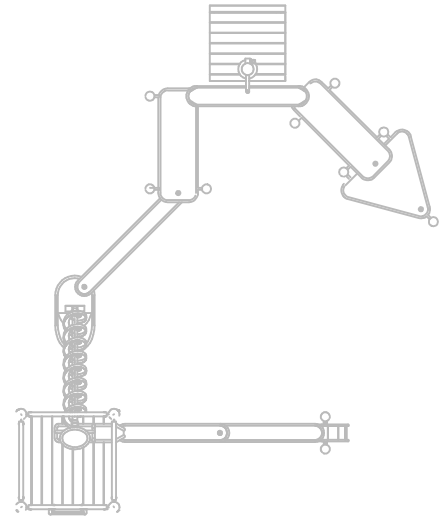


PLAN VIEW - 1:100

TYPICAL CAULK SCREW AND CHANNEL EXAMPLE



ISOMETRIC VIEW



PLAN VIEW - 1:100

TYPICAL WATER PUMP CHANNEL AND BUCKET EXAMPLE



ADAPT Architectural Design and Planning Technology

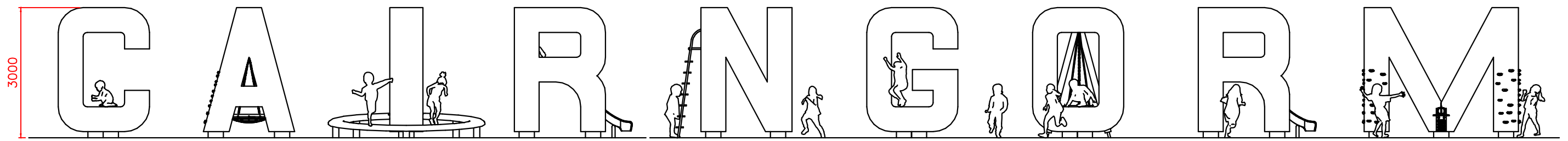
Tel: 07974968122
www.ADAPT-Highlands.co.uk
E-mail: info@adapt-highlands.com

Dwg. No. 01009/2P
Dwg. Issue 001
Date 15/02/24
Scale 1:100
Drawn by D.Jones

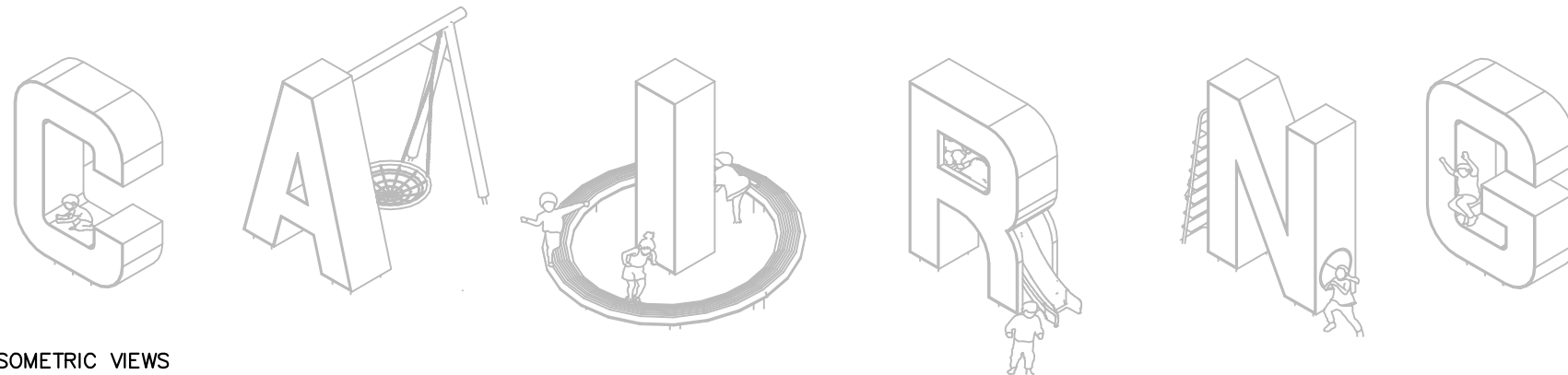
Title: **Cairngorm Mountain Scotland (Item 6) Interactive Water Features**

Issue	Date	Revision Notes

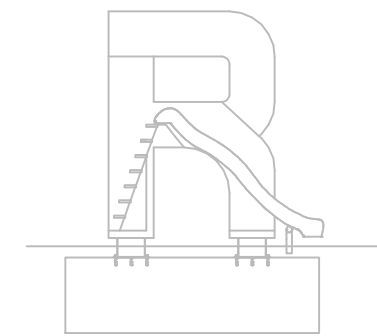
This drawing and all information contained within was prepared for or by and remains the property of ADAPT until formal release. It is an offence to Reproduce or Disclose without written consent. All dimensions are in millimeters unless otherwise stated. All sizes are for reference purposes and to be confirmed on site.



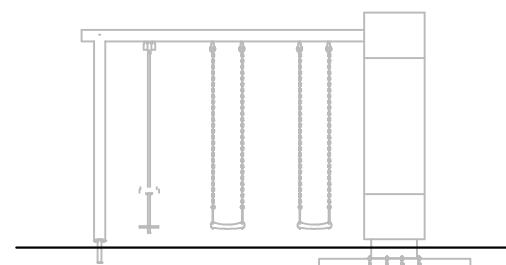
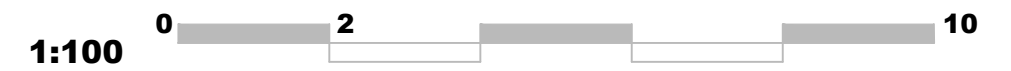
FRONT ELEVATION - 1:100



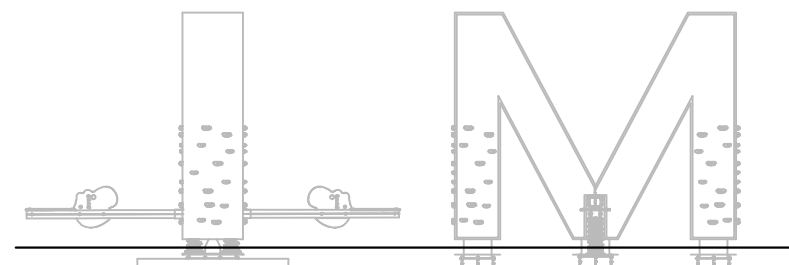
ISOMETRIC VIEWS



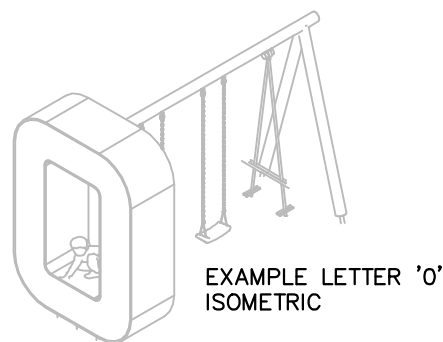
EXAMPLE LETTER 'R'
SECTION VIEW 1:100



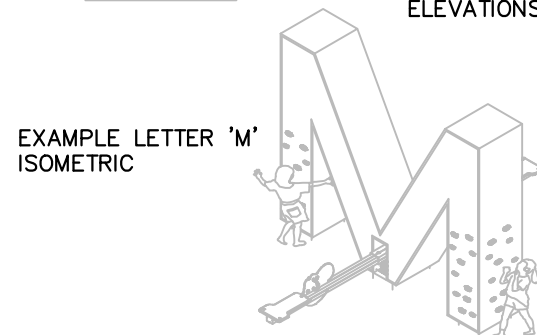
EXAMPLE LETTER 'O'
ELEVATION 1:100



EXAMPLE LETTER 'M'
ELEVATIONS 1:100



EXAMPLE LETTER 'O'
ISOMETRIC



EXAMPLE LETTER 'M'
ISOMETRIC

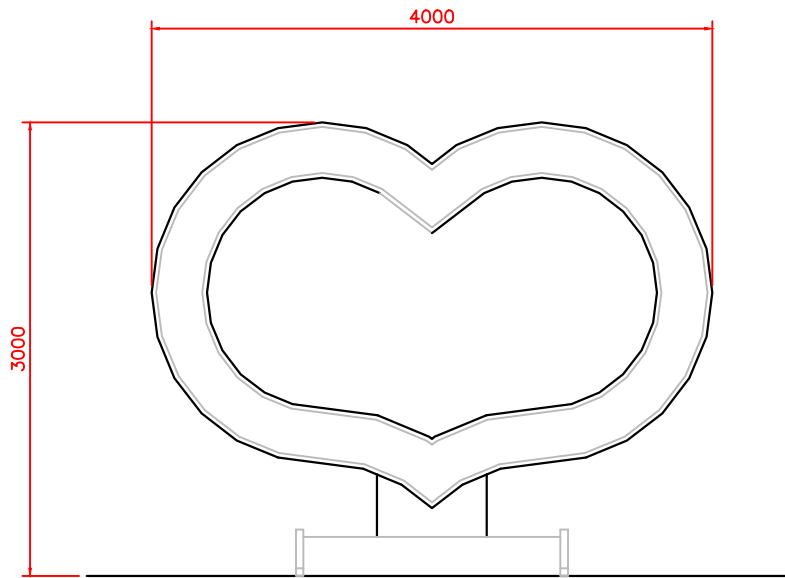
ADAPT Architectural Design and Planning Technology		Tel: 07974968122 www.ADAPT-Highlands.co.uk E-mail: info@adapt-highlands.com	Dwg. No. 01009/5P
			Dwg. Issue 001
			Date 15/02/24
			Scale 1:50
			Drawn by D.Jones

Title: **Cairngorm Mountain Scotland
(Item 5) Climbing Frame Letter Play Park**

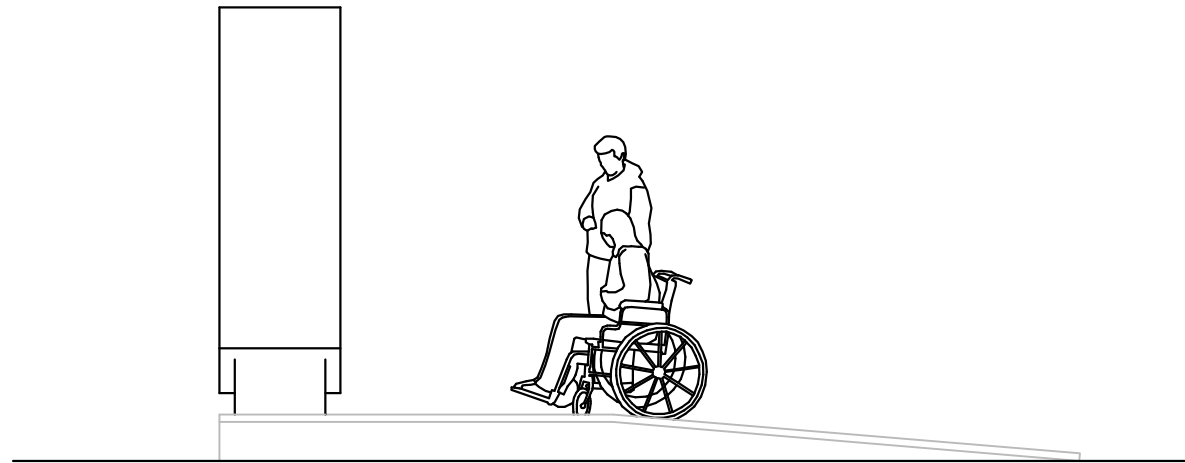
Issue	Date	Revision Notes

This drawing and all information contained within was prepared for or by and remains the property of ADAPT until formal release. It is an offence to Reproduce or Disclose without written consent. All dimensions are in millimeters unless otherwise stated. All sizes are for reference purposes and to be confirmed on site.

FRONT ELEVATION – 1:50

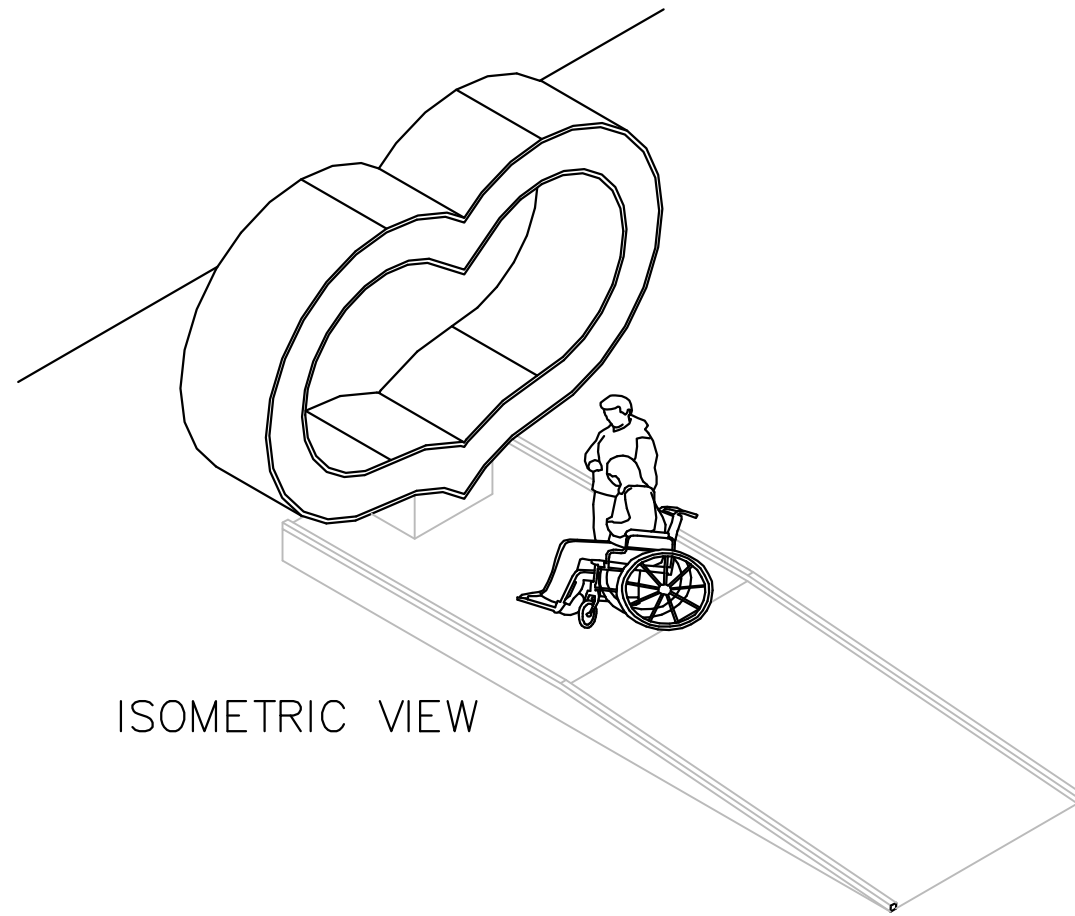
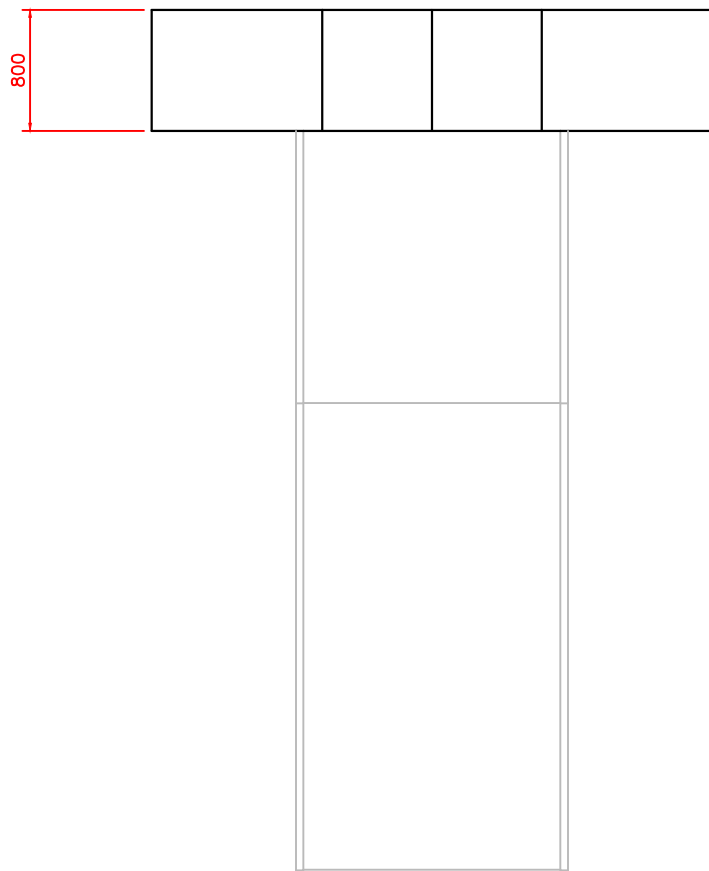


SIDE ELEVATION – 1:50



WHEELCHAIR ACCESS RAMP, DIMENSIONS TO BE CONFIRMED TO SUIT TERRAIN AND LOCATION

PLAN VIEW – 1:50



ISOMETRIC VIEW



A rchitectural D esign A nd P lanning T echnology		Dwg. No. 01009/8P
		Dwg. Issue 001
		Date 16/04/24
		Scale 1:50
		Drawn by D.Jones
Tel: 07974968122 www.ADAPT-Highlands.co.uk E-mail: info@adapt-highlands.com		

Title: **Cairngorm Mountain Scotland
(Item 5) Feature Heart Viewpoint**

Issue	Date	Revision Notes

This drawing and all information contained within was prepared for or by and remains the property of ADAPT until formal release. It is an offence to Reproduce or Disclose without written consent. All dimensions are in millimeters unless otherwise stated. All sizes are for reference purposes and to be confirmed on site.