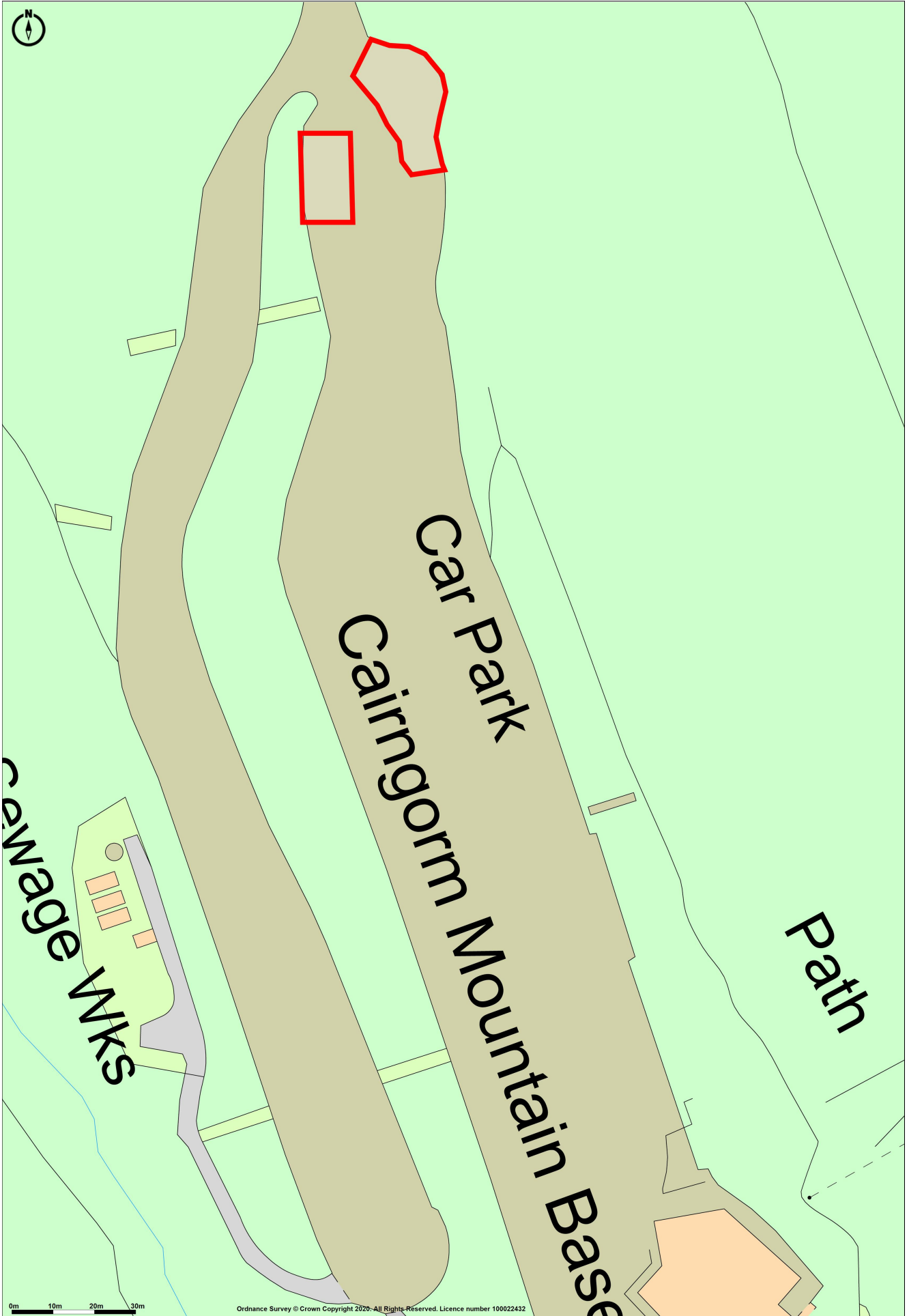


# **AGENDA ITEM 6**

## **APPENDIX I**

**2020/0097/DET**

**PLANS**



Application site: Coire Cas Car Park, Cairngorm, Glenmore, Aviemore  
 Applicant: Cairngorm Mountain (Scotland)Limited  
 Proposal: Installation of car park barriers

**Promapv2** Ordnance Survey © Crown Copyright 2020. All Rights Reserved.  
 Licence number 100022432  
 Plotted Scale - 1:1250. Paper Size - A4

● LANDMARK INFORMATION

**Ryden**



0 m 25 m 50 m 75 m 100 m

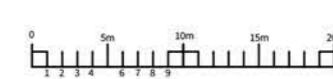
### Proposed Automatic Barrier location plan

- 1 All measurements in metres unless stated otherwise
- 2 All Contours are in metres and relate to Ordinance Datum

### Key



Scale 1 : 500  
PDF to scale when viewed at 100%  
To scale when printed at A1



HIE Coire Cas car parks

Entry Barrier

Exit Barrier

Northern View Point

AA Trail

Central Staircase

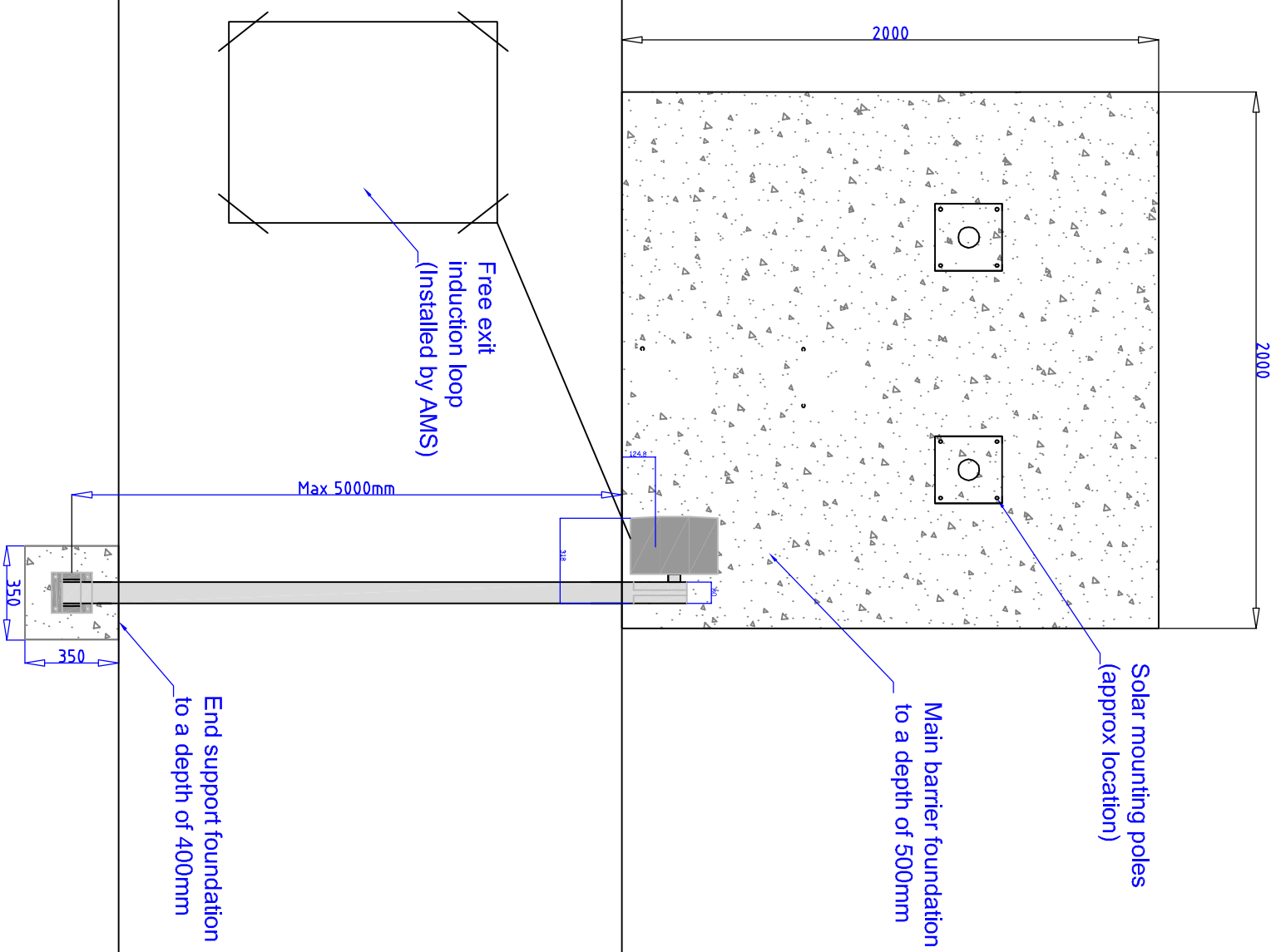
Coire Cas Car Park

Coire Cas Car Park (lower)

Base Station

Funicular Railway





All foundations to be level relative to one another  
 Solar panels (not shown) to be southward facing

**Solar Powered barrier  
 NOT SITE SPECIFIC**

**Ref: Solar barrier foundation -  
 Generic  
 Draw: MC**

## Solar Powered TAU Luxe Barrier





## Solar Powered TAU Luxe Barrier

The **Auto Mate Systems Ltd Solar Powered TAU Luxe barrier** is a cost effective and environmentally friendly way of managing the traffic and vehicles to a designated area of your site. Available with a barrier boom length of up to 5 metres, the barrier houses a low voltage DC motor and will still work during a power outage, due to its battery power backup.

As with all our barriers, the **TAU Luxe barrier** will be installed with all the relevant safety features and can come with optional safety photo cells for increased protection. The solar panels can also run the ancillary devices such as barrier timers and the proximity access control system, along with safety devices including induction loops and safety edges.

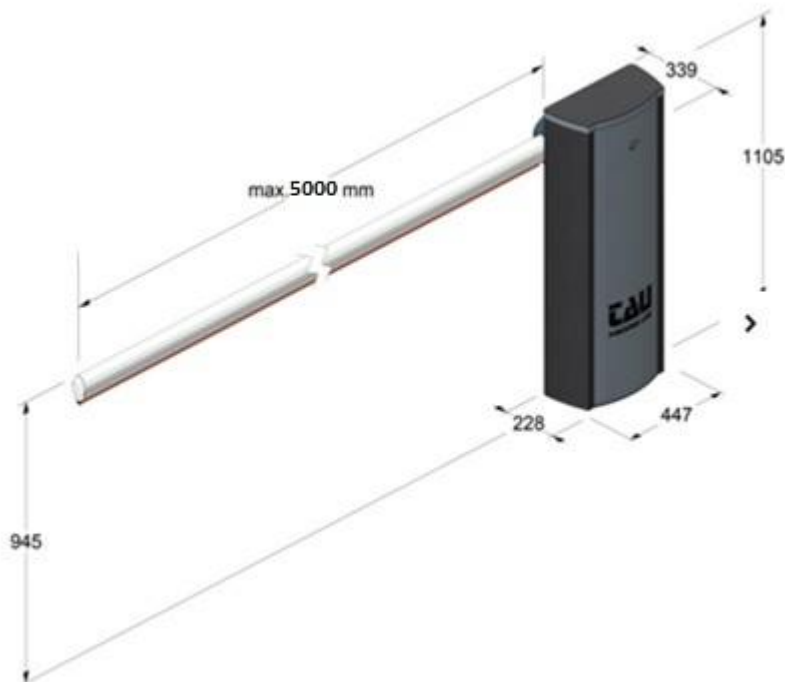
The solar powered barrier system also requires no digging for cabling or a power supply due to its solar panel supply, as well as other obvious benefits such as no energy running costs or unexpected bills from high usage periods. As with all **Auto Mate Systems Ltd barriers**, there are a number of different types of access control to choose from.

Installation locations for this type of barrier vary hugely, due to the fact that they do not require a mains power supply. Locations include secluded and remote countryside car parks in the Highlands of Scotland, roads in remote forest locations and businesses that struggle to locate a mains power supply in a location near to where the barrier would be installed.



TAU Luxe Barrier Technical Specification

Technical Features	Luxe
Frequency	50 – 60 Hz
Power Supply	230 V AC ±10%
Absorbed Power	250 W
Motor Power Supply	18 V DC
Absorbed Current	10 A
Maximum Torque	300 Nm
Reduction Ratio	1/512
Minimum Operating Time	6 seconds
Degree of Protection	IP 44
Duty Cycle	100%
Operating Temperature	-20°c + +55°c
Min. Width of Passage Clearance	1 metre
Max. Width of Passage Clearance	5 metres
Weight	70 KG



For more information about our solar powered barriers, please contact us on:

0800 169 8688 or sales@automatesystems.co.uk

