

AGENDA ITEM 5

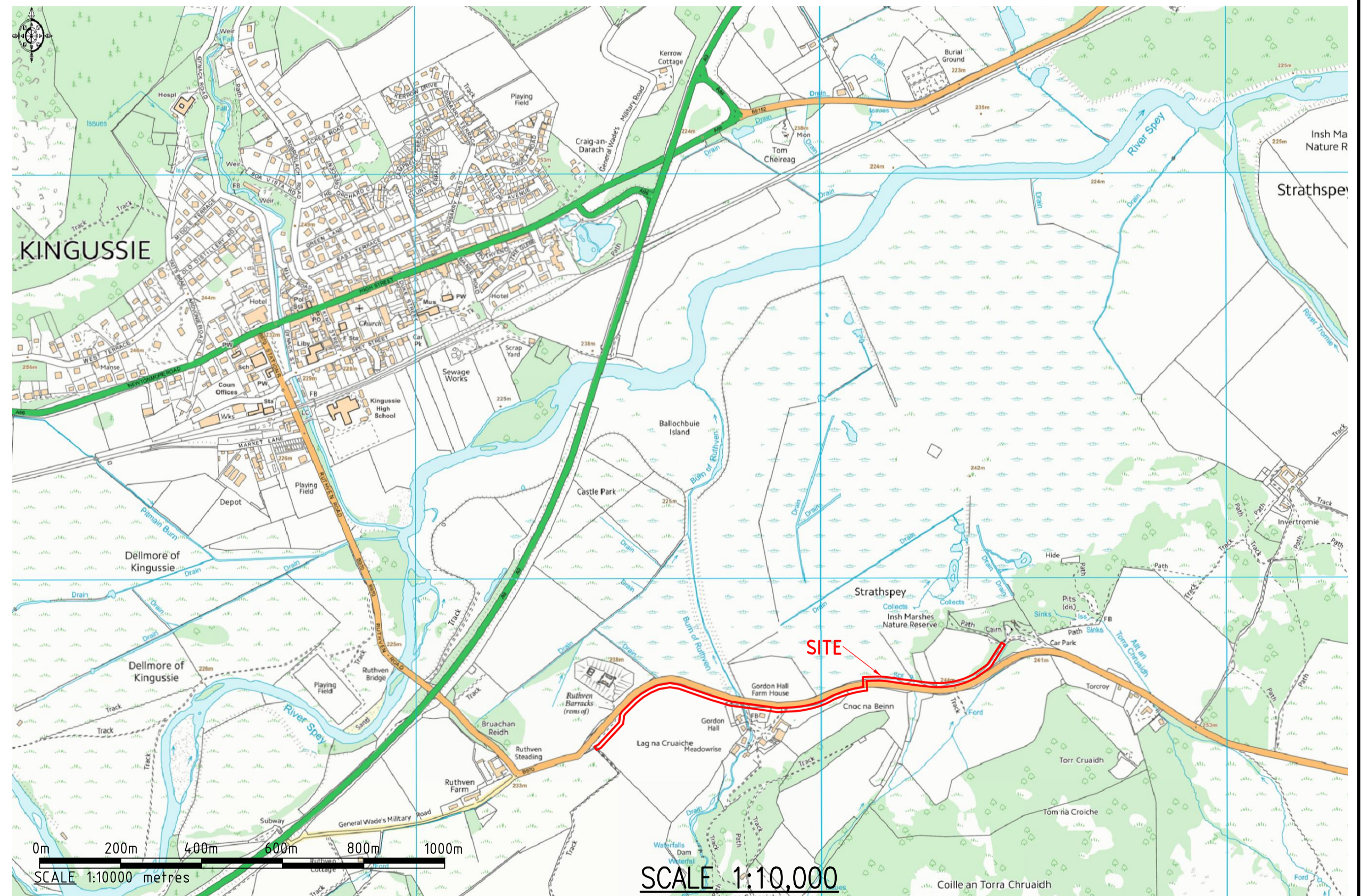
APPENDIX I

2018/0286/DET

PLANS



Do not scale from this drawing.
SAFETY HEALTH AND ENVIRONMENTAL INFORMATION
IN ADDITION TO THE HAZARD/RISKS NORMALLY ASSOCIATED WITH THE TYPES OF WORK DETAILED ON THIS DRAWING, NOTE THE FOLLOWING RISKS AND INFORMATION.
RISKS LISTED HERE ARE NOT EXHAUSTIVE. REFER TO DESIGN ASSESSMENT FORM NO.
CONSTRUCTION IT IS ASSUMED THAT ALL WORKS WILL BE CARRIED OUT BY A COMPETENT CONTRACTOR WORKING, WHERE APPROPRIATE, TO AN APPROVED METHOD STATEMENT.
DEMOLITION NOT APPLICABLE.
FOR INFORMATION RELATING TO USE, CLEANING AND MAINTENANCE SEE THE HEALTH AND SAFETY FILE
IT IS ASSUMED THAT ALL WORKS WILL BE CARRIED OUT BY A COMPETENT CONTRACTOR WORKING, WHERE APPROPRIATE, TO AN APPROVED METHOD STATEMENT.



Rev.	Date	Description	Drawn	Checked	Approved
A	23/07/18	SCALE BARS ADDED.	CF	RMcD	RMcD

Notes:

Client:

Project Title:

OUTDOOR ACCESS TRUST FOR SCOTLAND

PROPOSED SPEYSIDE WAY FOOTPATH FROM INSH HIDE TO RUTHVEN BARRACK AT KINGUSSIE

Drawing Title:

LOCATION PLAN

Scale at A1:		Status:	
AS SHOWN	For Information	Drawn:	Checked:
CF	RMcD	RMcD	RMcD
Date:	Date:	Date:	Date:
16/07/18	16/07/18	16/07/18	16/07/18
Drawing No.:			Revision:
125517/1000			A

FAIRHURST

88 Queens Road,
ABERDEEN, AB15 4YQ
Tel: 01224 321 222 Fax: 01224 323 201

SAFETY HEALTH AND ENVIRONMENTAL INFORMATION

IN ADDITION TO THE HAZARD/RISKS NORMALLY ASSOCIATED WITH THE TYPES OF WORK DETAILED ON THIS DRAWING, NOTE THE FOLLOWING RISKS AND INFORMATION:

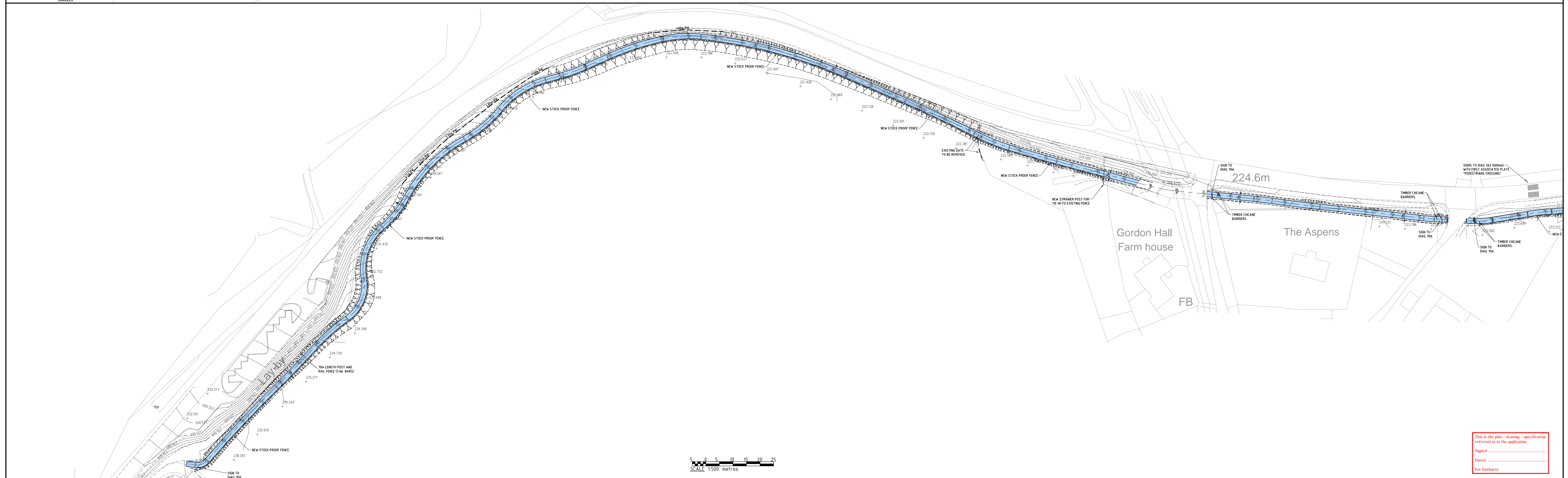
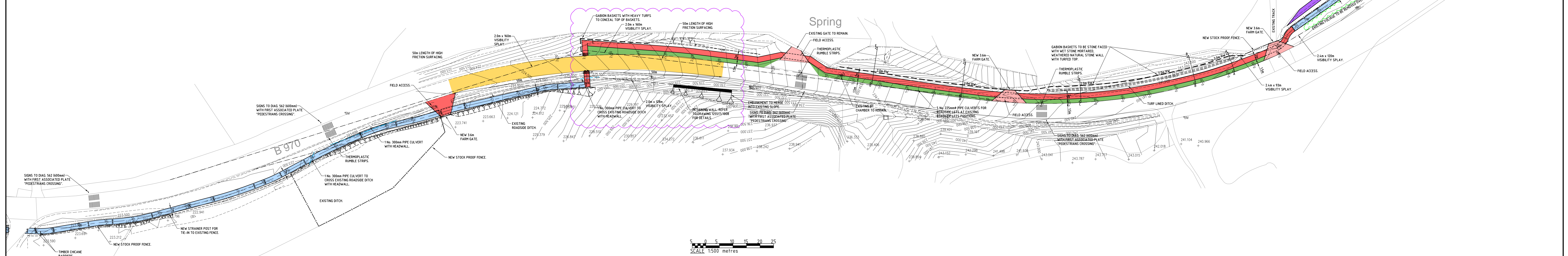
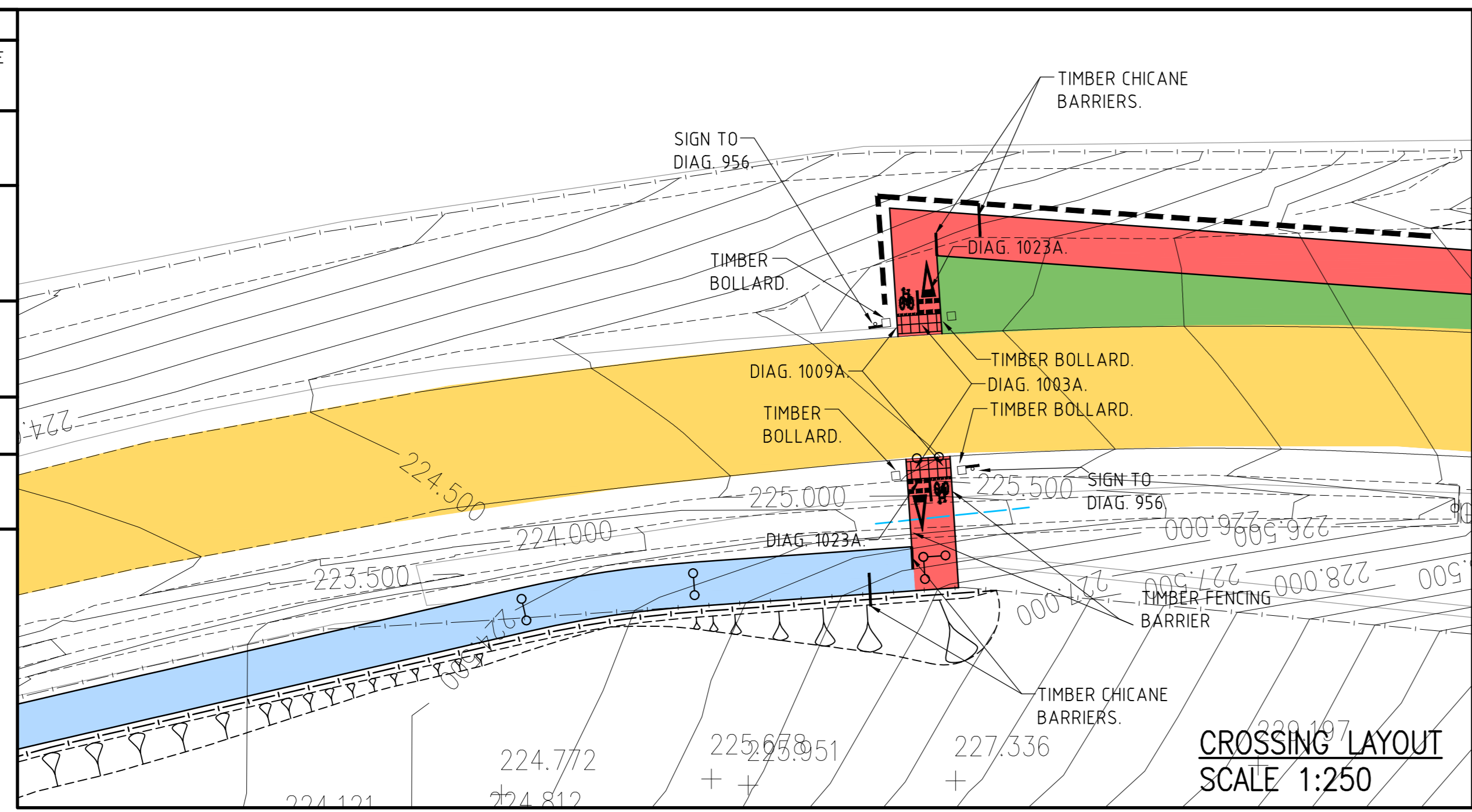
RISKS LISTED HERE ARE NOT EXHAUSTIVE. REFER TO DESIGN ASSESSMENT FORM NO.

CONSTRUCTION
IT IS ASSUMED THAT ALL WORKS WILL BE CARRIED OUT BY A COMPETENT CONTRACTOR WORKING, WHERE APPROPRIATE, TO AN APPROVED METHOD STATEMENT.

DEMOLITION
NOT APPLICABLE.

FOR INFORMATION RELATING TO USE, CLEANING AND MAINTENANCE SEE THE HEALTH AND SAFETY FILE.

IT IS ASSUMED THAT ALL WORKS WILL BE CARRIED OUT BY A COMPETENT CONTRACTOR WORKING, WHERE APPROPRIATE, TO AN APPROVED METHOD STATEMENT.



Rev	Date	Description	Drawn	Checked	Approved
E	14/12/18	FOOTPATH CROSSING POINT RELOCATED AS SHOWN CLOUDED.	NS	CF	RMcD
D	26/10/18	ADDITIONAL SURVEY ADDED. VISIBILITY SPLAYS AMENDED. FIELD ACCESS HATCHING ADDED. TIMBER FENCE BARRIERS ADDED.	CF	RMcD	RMcD
C	23/07/18	SCALE BARS ADDED.	CF	RMcD	RMcD
B	12/07/18	FOOTWAY ALIGNMENT, ADDITIONAL NOTES AND DETAILS ADDED.	CF	RMcD	RMcD
A	29/06/18	HIGH FRICTION SURFACING ADDED. TACTILE PAVING ADDED.	CF	RMcD	RMcD

SURFACING LEGEND		LEGEND	
Field Access	Field Access	12 Obstruction Unless Otherwise Stated	12 Obstruction Unless Otherwise Stated
Bitmac Surfacing	Bitmac Surfacing	Extent of Retention (Garden Baskets)	Extent of Retention (Garden Baskets)
Quarry Grey Granite Post Surfacing	Quarry Grey Granite Post Surfacing	Visibility Line	Visibility Line
Verge/Separation Strip	Verge/Separation Strip	Thermoplastic Rubble Strips	Thermoplastic Rubble Strips
		160-800 Vertical Face, Max. 10m Height	160-800 Vertical Face, Max. 10m Height
		New Stock Proof Fence	New Stock Proof Fence
		2m Livestock Area	2m Livestock Area
		High Friction Surfacing	High Friction Surfacing

Project Title: PROPOSED SPEYSIDE WAY FOOTPATH FROM INSH HIDE TO RUTHVEN BARRACK AT KINGUSSIE

Client: OUTDOOR ACCESS TRUST FOR SCOTLAND

Scale of A2: 1:500

Drawn: CF

Date: 22/06/18

Checked: RMcD

Date: 22/06/18

Approved: RMcD

Date: 22/06/18

Drawing No: 125517/1001

Revision: E

FAIRHURST

88 Queens Road,
Glasgow G1 3AR
Tel: 01234 321 222 Fax: 01234 323 201

Project Title: PROPOSED SPEYSIDE WAY FOOTPATH FROM INSH HIDE TO RUTHVEN BARRACK AT KINGUSSIE

Client: OUTDOOR ACCESS TRUST FOR SCOTLAND

Scale of A2: 1:500

Drawn: CF

Date: 22/06/18

Checked: RMcD

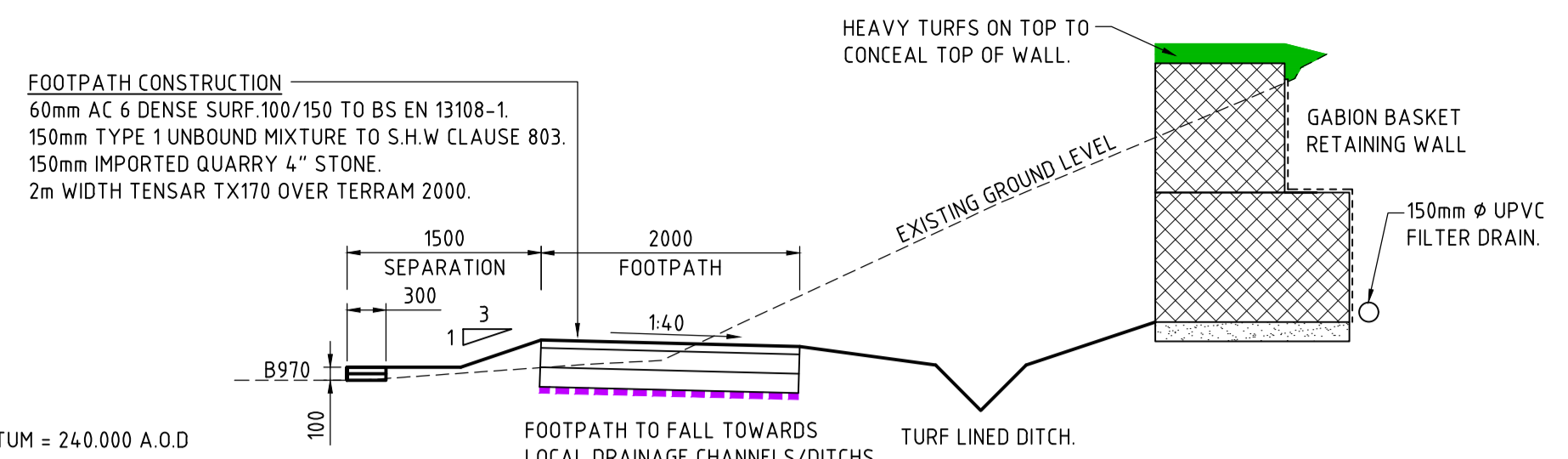
Date: 22/06/18

Approved: RMcD

Date: 22/06/18

Drawing No: 125517/1001

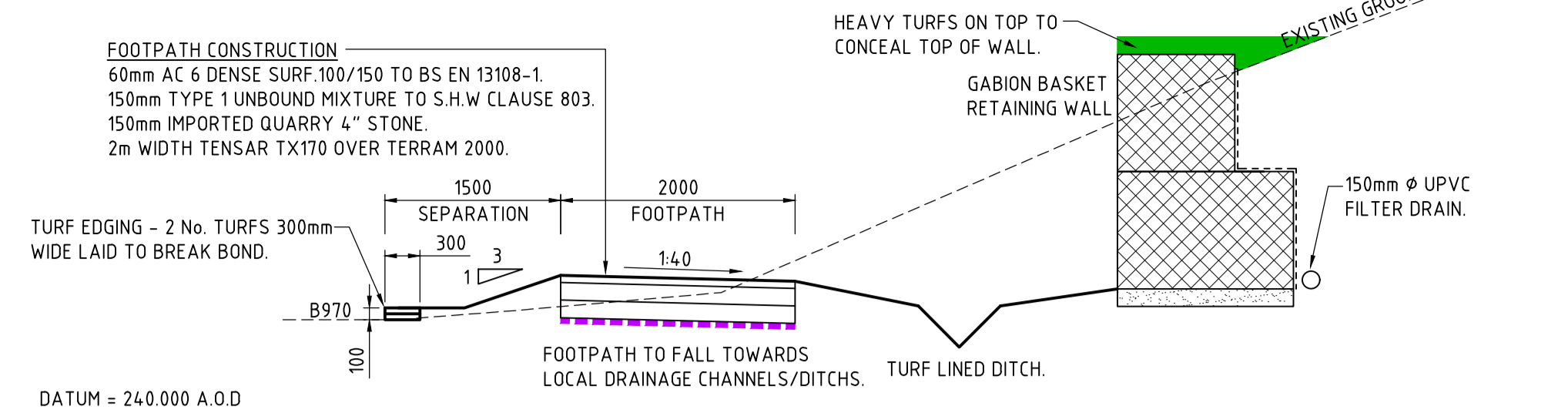
Revision: E



DATUM = 240.000 A.O.D

EXISTING LEVELS	240.935	240.958	240.987	242.214	243.043	243.165	243.252	243.353
DESIGN LEVELS	240.935	240.935	240.935	240.935	240.935	240.935	240.935	240.935
DISTANCE	0.06	1.875	2.430	5.067	7.043	7.378	7.575	

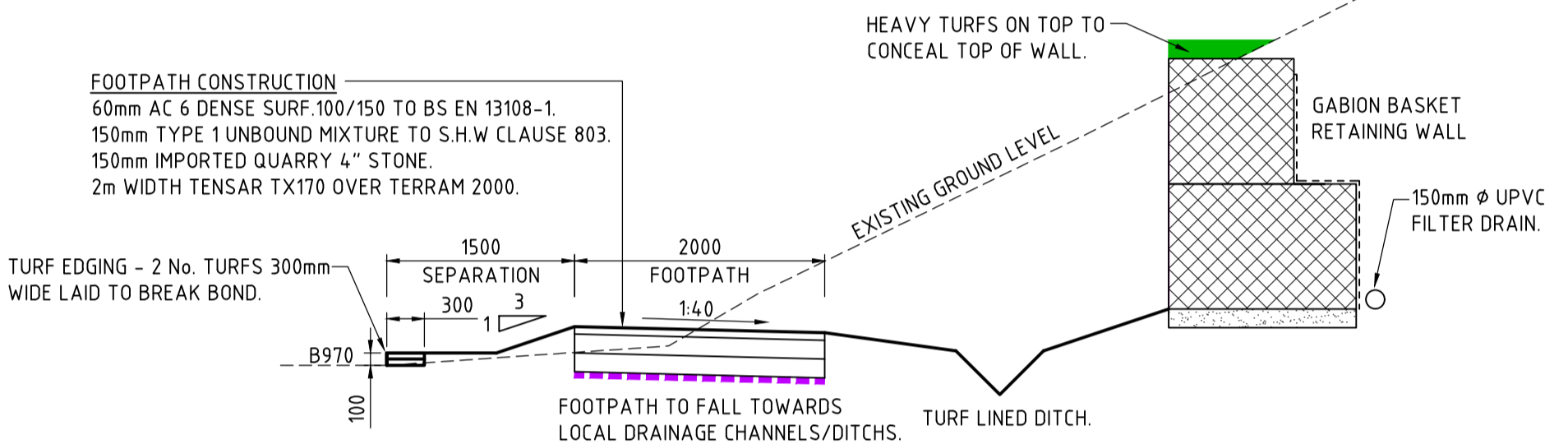
SECTION A-A
SCALE 1:50



DATUM = 240.000 A.O.D

EXISTING LEVELS	241.048	241.126	241.278	243.005	243.944	243.960
DESIGN LEVELS	241.148	241.148	241.148	241.148	241.148	241.148
DISTANCE	0.099	1.127	2.869	7.006	9.302	10.031

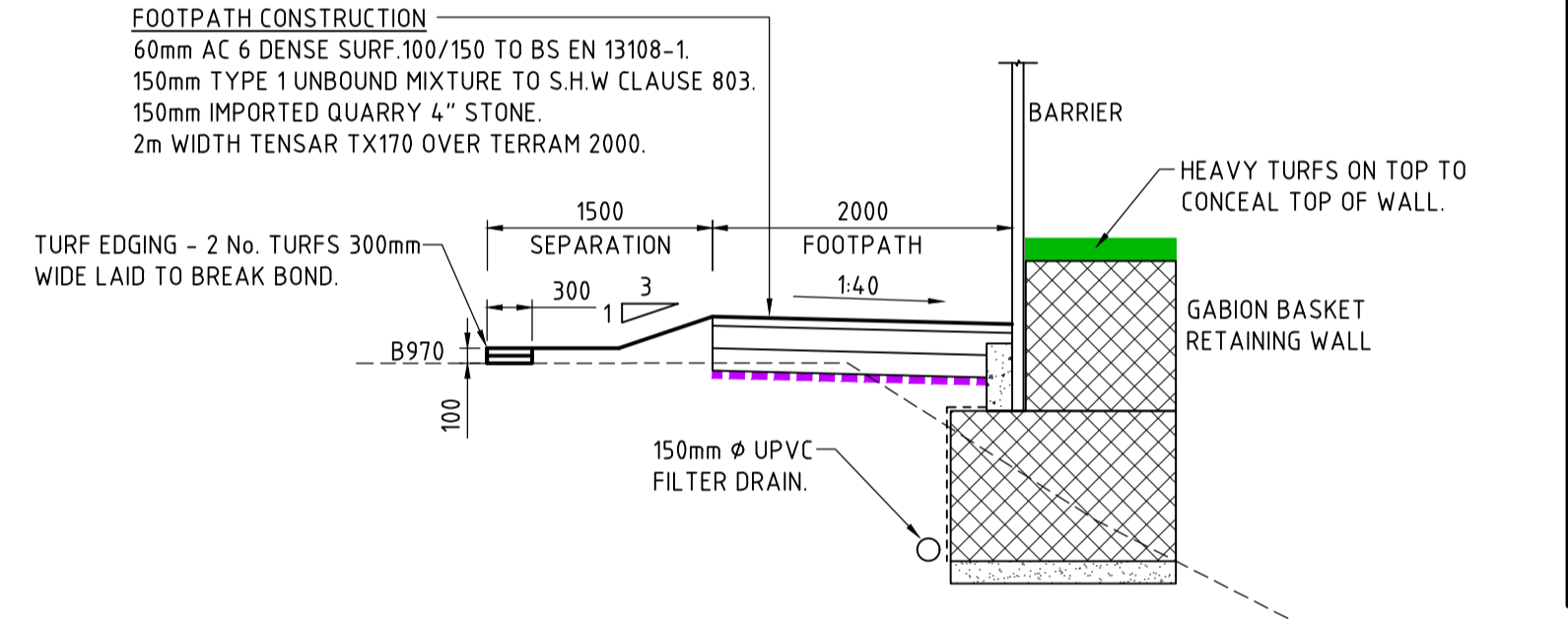
SECTION B-B
SCALE 1:50



DATUM = 239.000 A.O.D

EXISTING LEVELS	240.337	240.266	240.392	240.810	242.026	243.572	243.709
DESIGN LEVELS	240.337	240.337	240.337	240.337	240.337	239.987	240.337
DISTANCE	0.060	0.420	2.253	2.967	5.475	8.570	8.879

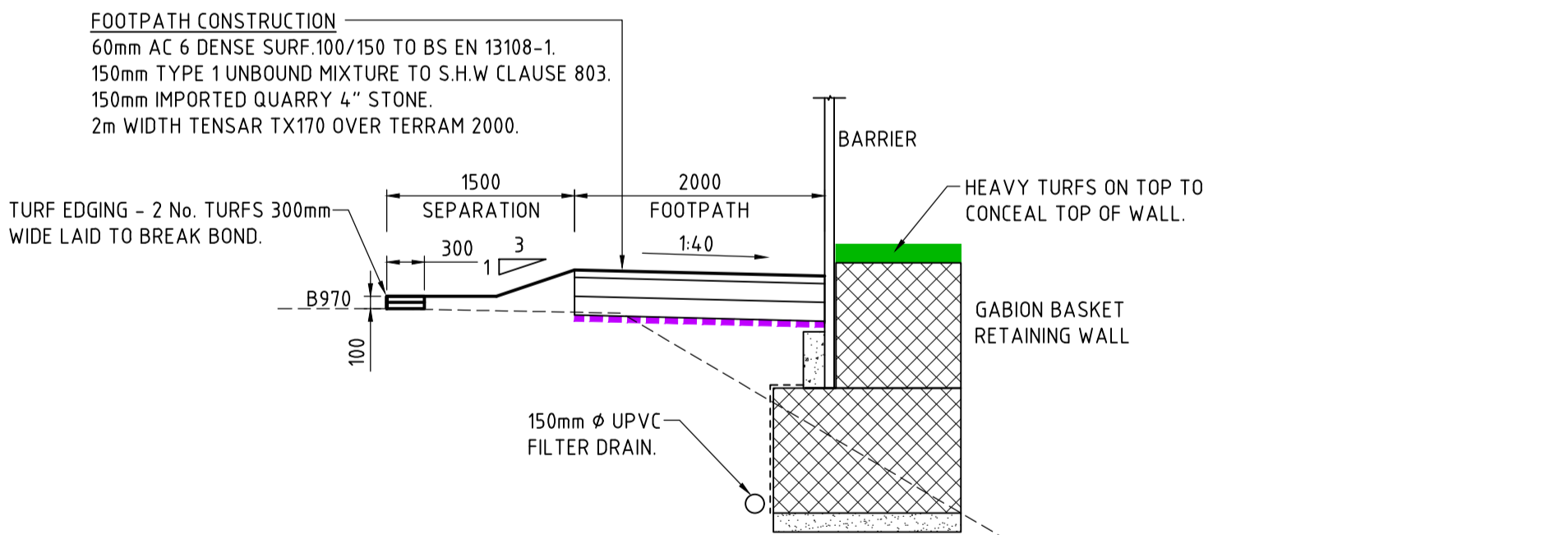
SECTION C-C
SCALE 1:50



DATUM = 234.000 A.O.D

EXISTING LEVELS	237.455	237.456	236.403	235.559	235.191	234.919	234.502	234.426
DESIGN LEVELS	237.555	237.555	237.555	237.555	237.555	234.634	234.502	234.426
DISTANCE		2.403	4.068	5.720	7.183	8.330	11.351	13.130

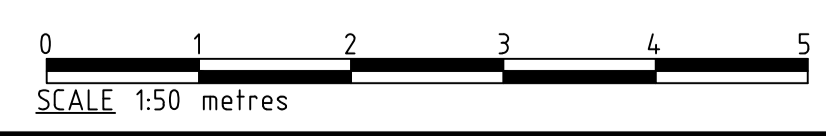
SECTION D-D
SCALE 1:50



DATUM = 229.000 A.O.D

EXISTING LEVELS	234.286	234.250	231.265	230.060	228.803	229.638
DESIGN LEVELS	234.386	234.386	234.386	234.386	234.386	234.386
DISTANCE		1.875	6.946	10.281	12.129	13.519

SECTION E-E
SCALE 1:50



This is the plan / drawing / specification referred to in the application.
Signed
Dated
For Fairhurst

Do not scale from this drawing.

SAFETY HEALTH AND ENVIRONMENTAL INFORMATION

IN ADDITION TO THE HAZARD/RISKS NORMALLY ASSOCIATED WITH THE TYPES OF WORK DETAILED ON THIS DRAWING, NOTE THE FOLLOWING RISKS AND INFORMATION.

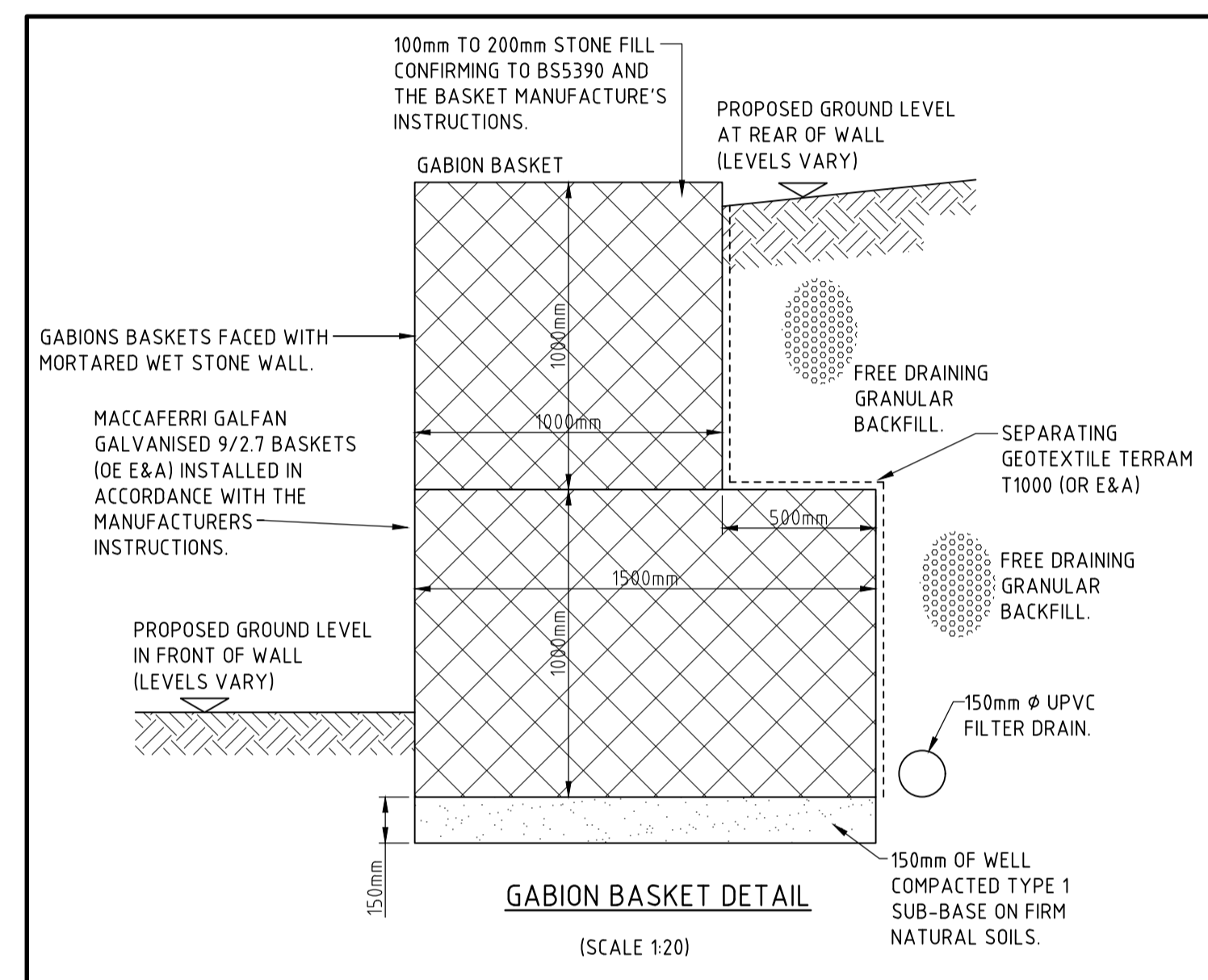
RISKS LISTED HERE ARE NOT EXHAUSTIVE. REFER TO DESIGN ASSESSMENT FORM NO.

CONSTRUCTION
IT IS ASSUMED THAT ALL WORKS WILL BE CARRIED OUT BY A COMPETENT CONTRACTOR WORKING, WHERE APPROPRIATE, TO AN APPROVED METHOD STATEMENT.

DEMOLITION
NOT APPLICABLE.

FOR INFORMATION RELATING TO USE, CLEANING AND MAINTENANCE SEE THE HEALTH AND SAFETY FILE.

IT IS ASSUMED THAT ALL WORKS WILL BE CARRIED OUT BY A COMPETENT CONTRACTOR WORKING, WHERE APPROPRIATE, TO AN APPROVED METHOD STATEMENT.



Rev.	Date	Description	Drawn	Chkd	Appd.
C	14/07/18	SECTION F-F REMOVED.		NS	CF
B	01/07/18	SCALE BAR ADDED.		CF	RMcD
A	07/07/18	VARIOUS DETAILS AMENDED.		CF	RMcD

FAIRHURST
88 Queens Road
ABERDEEN
AB15 4YQ
Tel: 01224 321222
Fax: 01224 323201

OUTDOOR ACCESS TRUST FOR SCOTLAND

Project Title:
PROPOSED SPEYSIDE WAY FOOTPATH FROM INSH HIDE TO RUTHVEN BARRACK AT KINGUSSIE

Drawing Title:
CROSS SECTIONS

Scale at A1: 1:50	Status: For Approval
Drawn: CF	Checked: RMcD
Date: 26/06/18	Date: 26/06/18
Drawing No.: 125517/1002	Revision: C

Do not scale from this drawing.

SAFETY HEALTH AND ENVIRONMENTAL INFORMATION

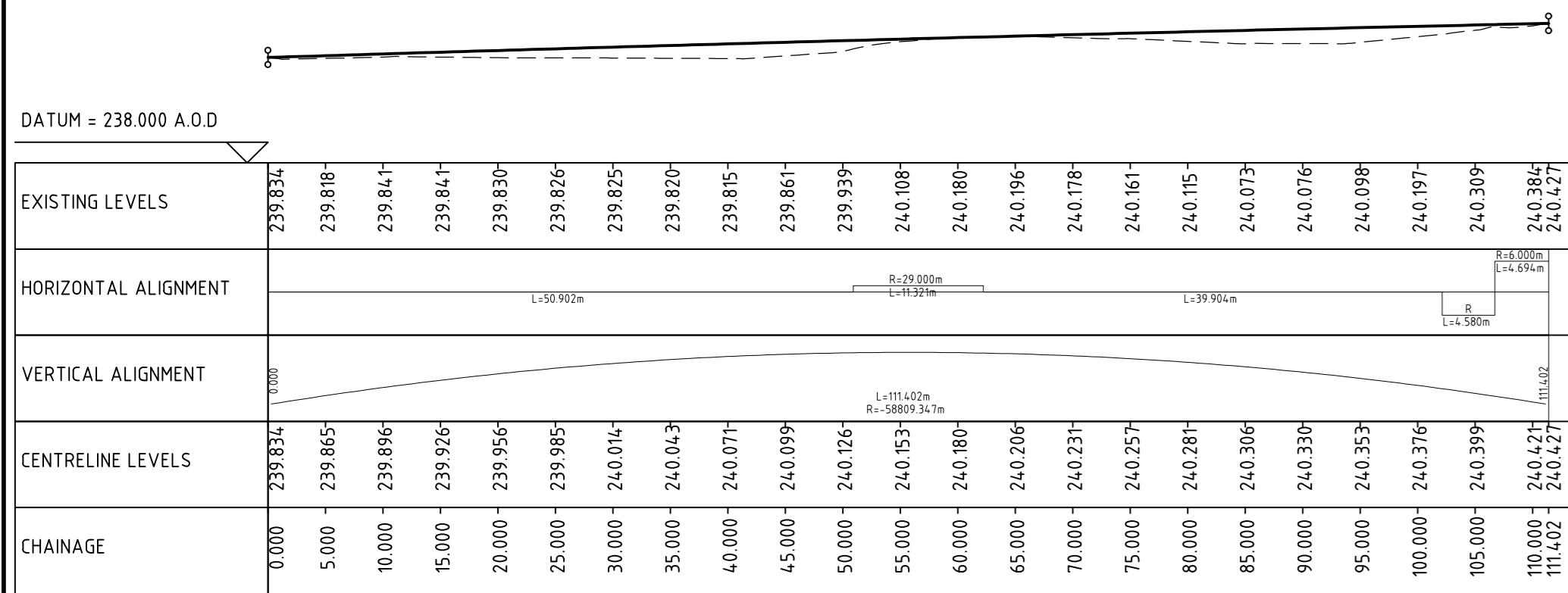
IN ADDITION TO THE HAZARD/RISKS NORMALLY ASSOCIATED WITH THE TYPES OF WORK DETAILED ON THIS DRAWING, NOTE THE FOLLOWING RISKS LISTED HERE ARE NOT EXHAUSTIVE. REFER TO DESIGN ASSESSMENT FORM NO.

CONSTRUCTION
IT IS ASSUMED THAT ALL WORKS WILL BE CARRIED OUT BY A COMPETENT CONTRACTOR WORKING, WHERE APPROPRIATE, TO AN APPROVED METHOD STATEMENT.

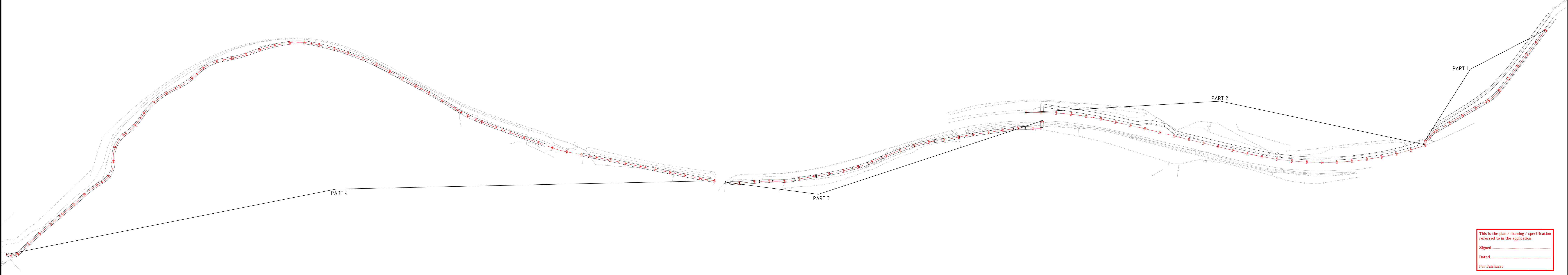
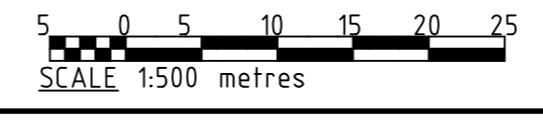
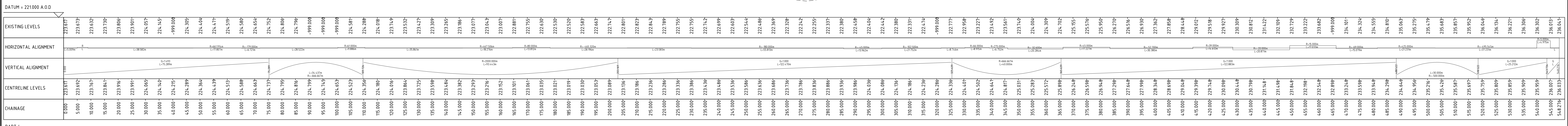
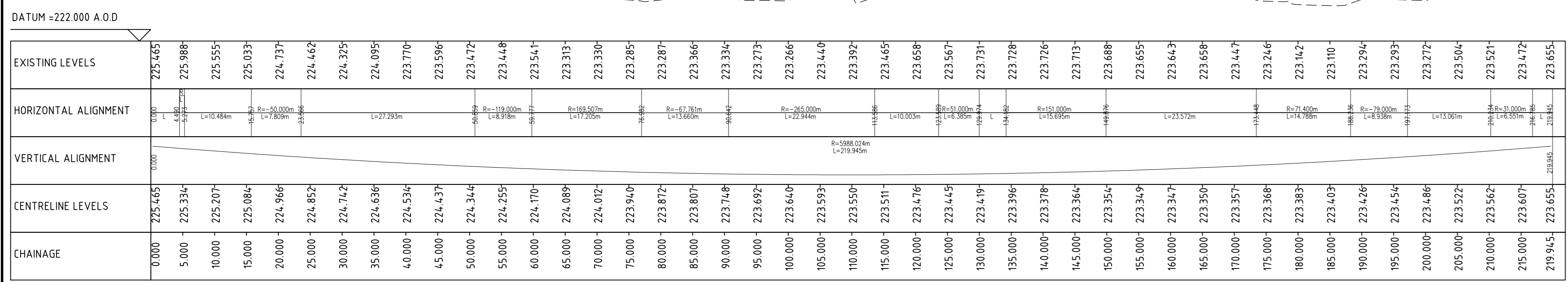
DEMOLITION
NOT APPLICABLE.

FOR INFORMATION RELATING TO USE, CLEANING AND MAINTENANCE SEE THE HEALTH AND SAFETY FILE.

IT IS ASSUMED THAT ALL WORKS WILL BE CARRIED OUT BY A COMPETENT CONTRACTOR WORKING, WHERE APPROPRIATE, TO AN APPROVED METHOD STATEMENT.



PART 2 SCALE 1:500 HORIZONTAL 1:100 VERTICAL	
EXISTING LEVELS	CHANGING
0+000	225.000
5+000	225.000
10+000	225.000
15+000	225.000
20+000	225.000
25+000	225.000
30+000	225.000
35+000	225.000
40+000	225.000
45+000	225.000
50+000	225.000
55+000	225.000
60+000	225.000
65+000	225.000
70+000	225.000
75+000	225.000
80+000	225.000
85+000	225.000
90+000	225.000
95+000	225.000
100+000	225.000
105+000	225.000
110+000	225.000
115+000	225.000
120+000	225.000
125+000	225.000
130+000	225.000
135+000	225.000
140+000	225.000
145+000	225.000
150+000	225.000
155+000	225.000
160+000	225.000
165+000	225.000
170+000	225.000
175+000	225.000
180+000	225.000
185+000	225.000
190+000	225.000
195+000	225.000
200+000	225.000
205+000	225.000
210+000	225.000
215+000	225.000
220+000	225.000
225+000	225.000
230+000	225.000
235+000	225.000
240+000	225.000
245+000	225.000
250+000	225.000



<p>Rev. Date Description</p>			<p>Drawn Checked Approved</p>			<p>Notes</p>			<p>Class</p>			<p>Project Title</p>			<p>Project File</p>					
<p>B 14/12/18 PART 3 LONGITUDINAL SECTION UPDATED.</p>			<p>NS CF RMCD</p>			<p>A 23/07/18 SCALE BAR ADDED.</p>			<p>CF RMCD RMCD</p>			<p>OUTDOOR ACCESS TRUST FOR SCOTLAND</p>			<p>PROPOSED SPEYSIDE WAY FOOTPATH FROM INSH HIDE TO RUTHVEN BARRACK AT KINGUSSIE</p>			<p>125517/1003 B</p>		
<p>Rev. Date Description</p>			<p>Drawn Checked Approved</p>			<p>Notes</p>			<p>Class</p>			<p>Project Title</p>			<p>Project File</p>					

This is the plan / drawing / specification referred to in the application.

Signed: _____

Dated: _____

For Fairhurst

FAIRHURST

88 Queens Road,
BRIGHTON BN1 3AQ
Tel: 01274 373 222 Fax: 01274 383 201

Scale of A3: 1:500

Drawn: CF

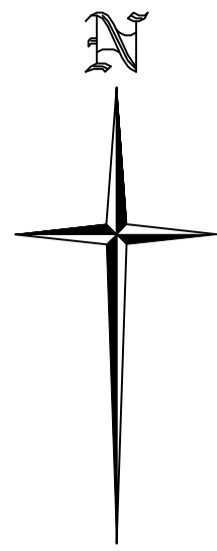
Date: 12/07/18

Checked: RMCD

Date: 12/07/18

Approved: RMCD

Date: 12/07/18



Do not scale from this drawing.

SAFETY HEALTH AND ENVIRONMENTAL INFORMATION

IN ADDITION TO THE HAZARD/RISKS NORMALLY ASSOCIATED WITH THE TYPES OF WORK DETAILED ON THIS DRAWING, NOTE THE FOLLOWING RISKS AND INFORMATION.

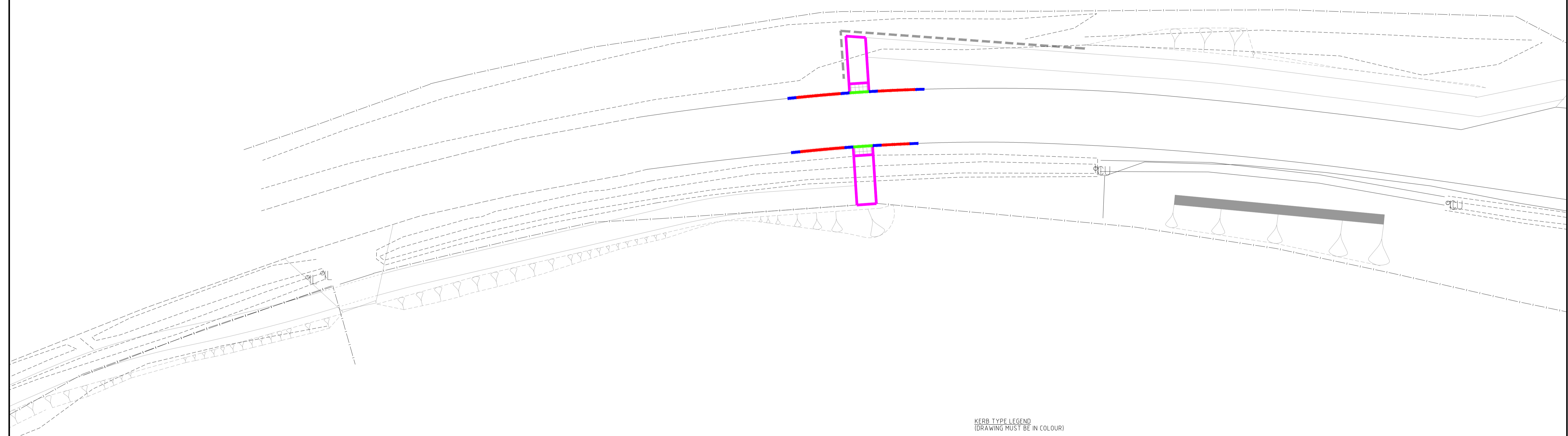
RISKS LISTED HERE ARE NOT EXHAUSTIVE. REFER TO DESIGN ASSESSMENT FORM NO.

CONSTRUCTION
IT IS ASSUMED THAT ALL WORKS WILL BE CARRIED OUT BY A COMPETENT CONTRACTOR WORKING, WHERE APPROPRIATE, TO AN APPROVED METHOD STATEMENT.

DEMOLITION
NOT APPLICABLE.

FOR INFORMATION RELATING TO USE, CLEANING AND MAINTENANCE SEE THE HEALTH AND SAFETY FILE

IT IS ASSUMED THAT ALL WORKS WILL BE CARRIED OUT BY A COMPETENT CONTRACTOR WORKING, WHERE APPROPRIATE, TO AN APPROVED METHOD STATEMENT.



- KERB TYPE LEGEND**
(DRAWING MUST BE IN COLOUR)
- HALF BATTERED ROAD KERB (DETAIL A)
 - BULLNOSED ROAD KERB (DETAIL B)
 - TAPER ROAD KERB
 - FLAT TOP EDGING KERB (DETAIL C)



This is the plan / drawing / specification referred to in the application

Signed

Dated

For Fairhurst

Rev.	Date	Description	Drawn	Checked	Approved
B	14/12/18	DRAWING UPDATED TO SUIT LATEST FOOTPATH LAYOUT.	NS	CF	RMcD
A	23/07/18	SCALE BARS ADDED.	CF	RMcD	RMcD

Client:

OUTDOOR ACCESS TRUST FOR SCOTLAND

Project Title:

PROPOSED SPEYSIDE WAY FOOTPATH FROM INSH HIDE TO RUTHVEN BARRACK AT KINGUSSIE

Drawing Title:

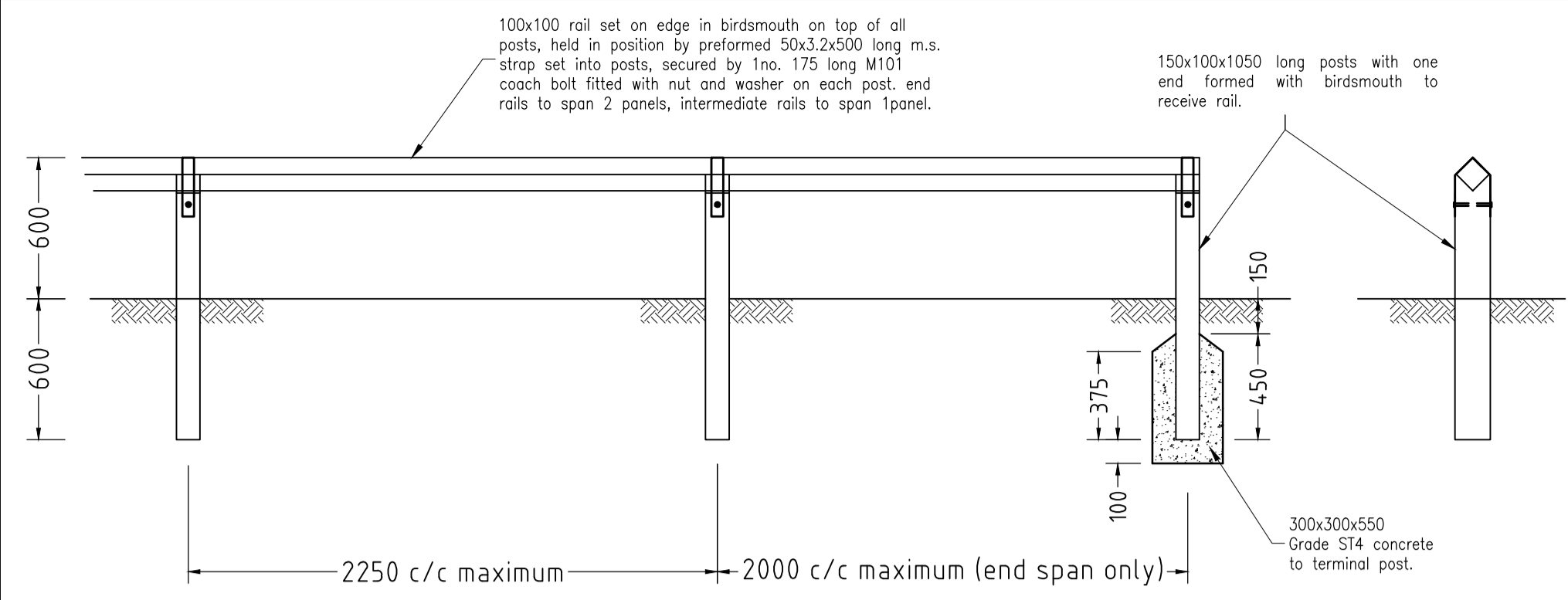
KERBING LAYOUT

Scale at A1: 1:250	Status: For Approval
Drawn: CF	Checked: RMcD
Date: 12/07/18	Date: 12/07/18
Approved: RMcD	Date: 12/07/18
Drawing No.:	Revision:

FAIRHURST

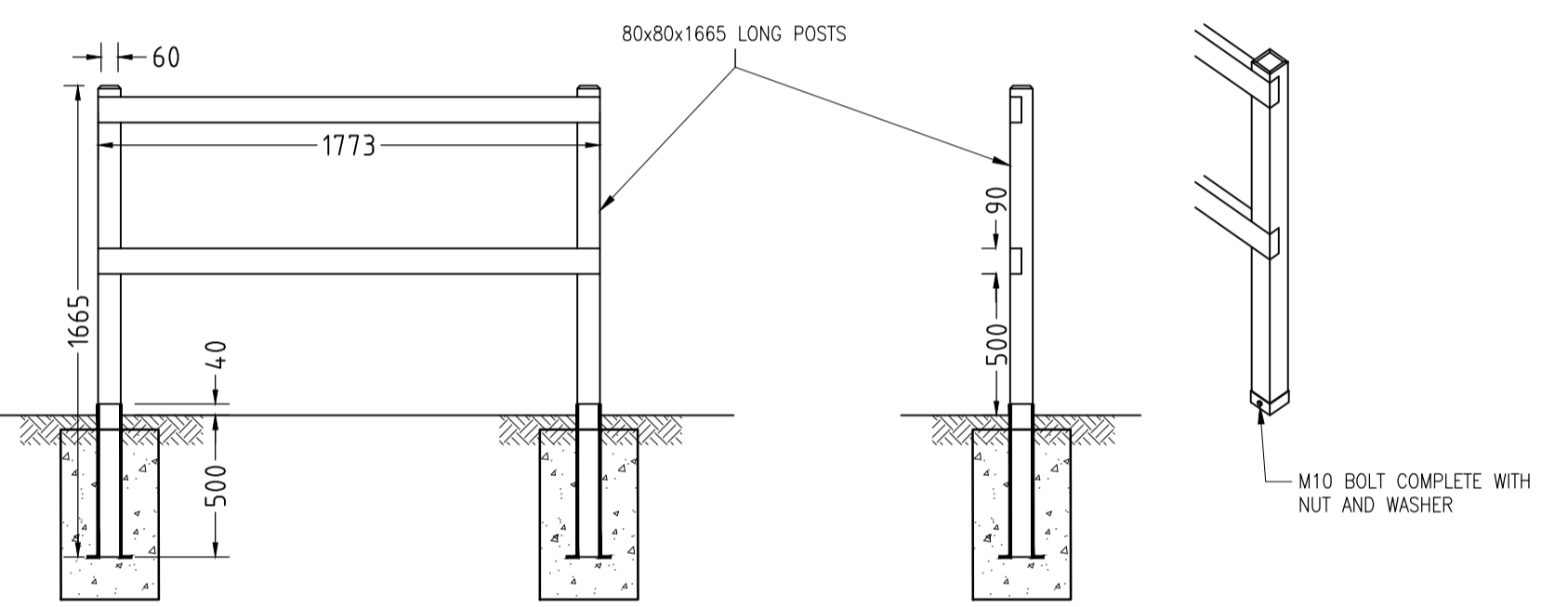
88 Queens Road,
ABERDEEN, AB15 4YQ
Tel: 01224 321 222 Fax: 01224 323 201

125517/1004 B



- NOTES
1. POSTS AND RAILS SHALL BE IN ACCORDANCE WITH THE SPECIFICATION EXCEPT THAT CREOSOTE PRESERVATION SHALL NOT BE PERMITTED.
 2. ALL TIMBER SHALL BE OF OFF-SAWN TIMBER.
 3. POSTS, RAILS AND BIRDMOUTHS TO BE CHAMFERED AS NECESSARY AT ALL CHANGES OF DIRECTION.
 4. EXCEPT FOR CONCRETE BACKFILL, POSTS ARE TO BE ERECTED IN SMALLEST HOLE POSSIBLE.
 5. BACKFILL OTHER THAN CONCRETE IS TO BE WELL COMPACTED ACCEPTABLE MATERIAL.
 6. POSTS ARE TO BE BACKFILLED IN CONCRETE AS SHOWN AT ALL CHANGES OF DIRECTION EXCEEDING 15 DEGREE VERTICALLY AND/OR 30 DEGREE HORIZONTALLY AND AT 70m CENTRES ALONG FENCELINE.
 7. WHERE TIMBER IS TO BE PAINTED PRESERVATION SHALL BE WITH WATER-BORNE SALTS, AFTER WHICH IT SHALL BE ALLOWED TO DRY TO MOISTURE CONTENT OF 25% BEFORE PAINTING IN ACCORDANCE WITH THE SPECIFICATION.
 8. ALL FERROUS METALS ARE TO BE GALVANISED IN TO BS EN 1461.
 9. POST HOLES ARE NOT TO BE BACKFILLED OVER CONCRETE EARLIER THAN 24 HOURS AFTER PLACING CONCRETE.
 10. ALL DIMENSIONS ARE IN MILLIMETERS UNLESS OTHERWISE STATED.

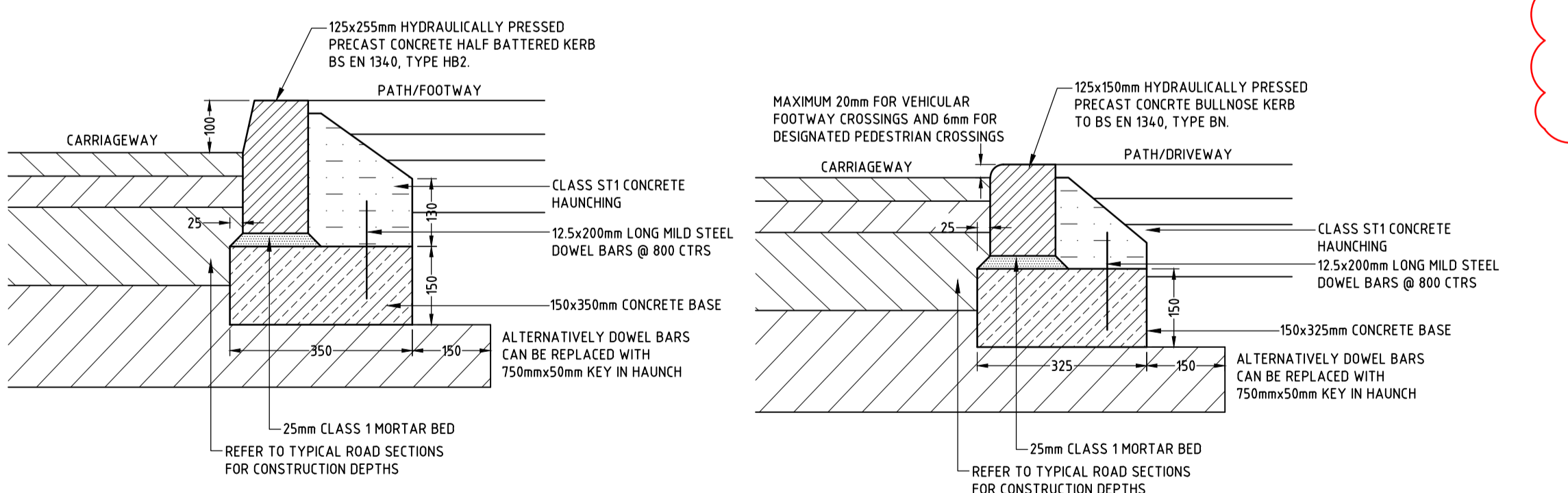
POST AND RAIL FENCE DETAIL
SCALE 1:25



- CHICANE DETAILS
1. FOUNDATIONS TO BE 300mmSQ OR 300mmØ, 600mm DEEP, ST2 CONCRETE.

- NOTES
1. POSTS AND RAILS SHALL BE IN ACCORDANCE WITH THE SPECIFICATION EXCEPT THAT CREOSOTE PRESERVATION SHALL NOT BE PERMITTED.
 2. ALL TIMBER SHALL BE OF OFF-SAWN TIMBER.
 3. WHERE TIMBER IS TO BE PAINTED PRESERVATION SHALL BE WITH WATER-BORNE SALTS, AFTER WHICH IT SHALL BE ALLOWED TO DRY TO MOISTURE CONTENT OF 25% BEFORE PAINTING IN ACCORDANCE WITH THE SPECIFICATION.
 4. ALL FERROUS METALS ARE TO BE GALVANISED IN TO BS EN 1461.
 5. POST HOLES ARE NOT TO BE BACKFILLED OVER CONCRETE EARLIER THAN 24 HOURS AFTER PLACING CONCRETE.
 10. ALL DIMENSIONS ARE IN MILLIMETERS UNLESS OTHERWISE STATED.

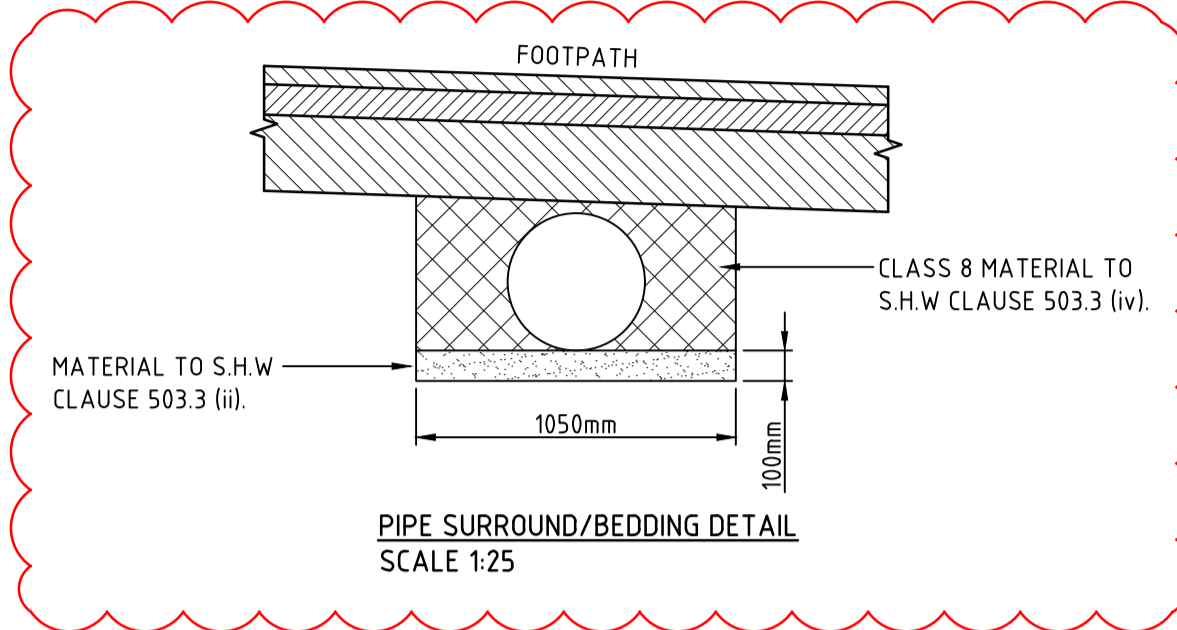
TIMBER CHICANE BARRIER DETAIL
SCALE 1:25



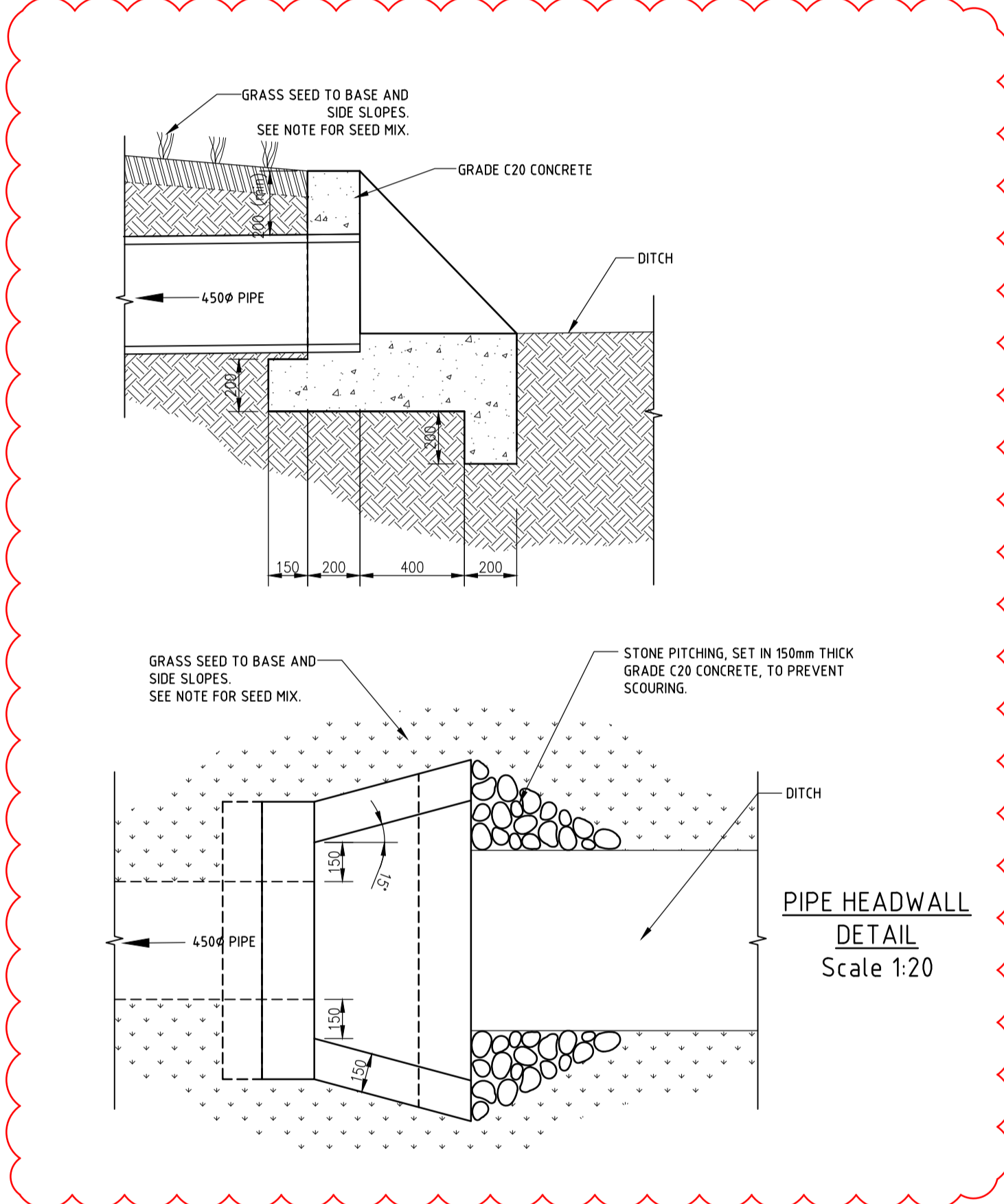
HALF BATTERED ROAD KERB DETAIL (A)
SCALE 1:10

BULLNOSED KERB DETAIL (B)
SCALE 1:10

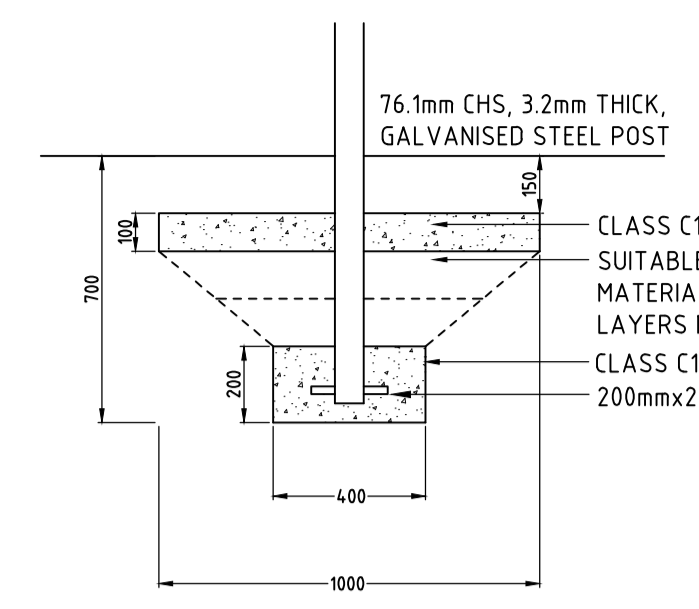
FLAT TOP EDGING KERB DETAIL (C)
SCALE 1:10



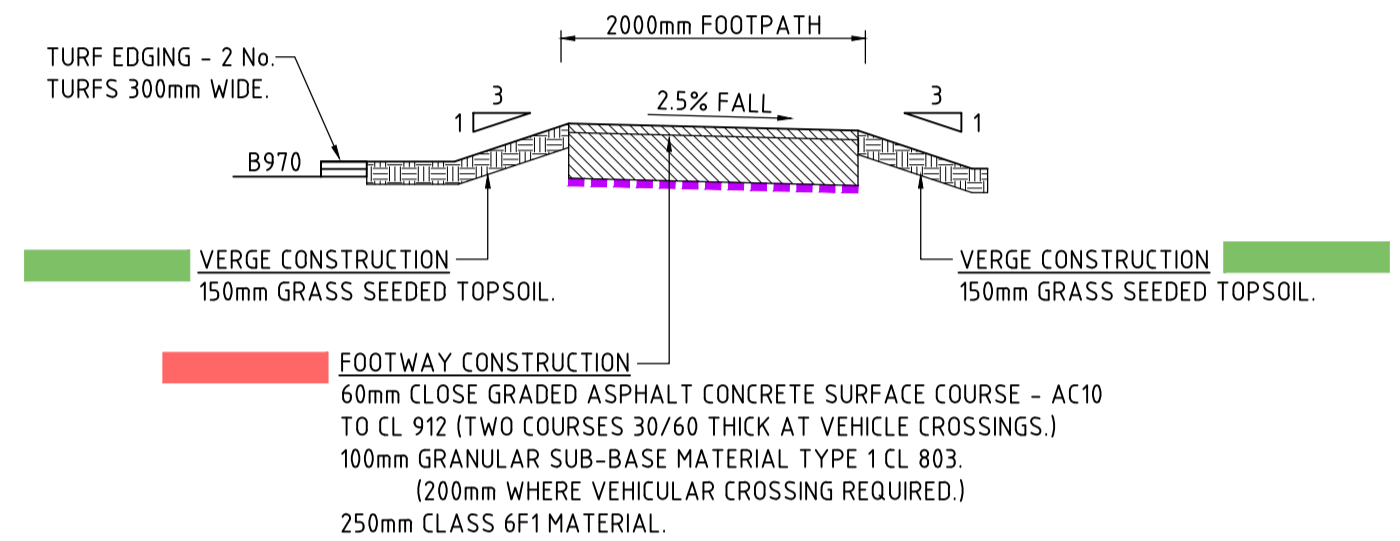
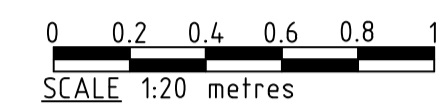
PIPE SURROUND/BEDDING DETAIL
SCALE 1:25



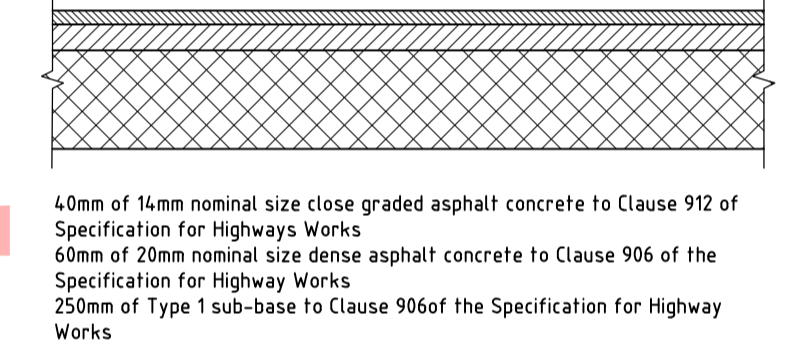
PIPE HEADWALL DETAIL
Scale 1:20



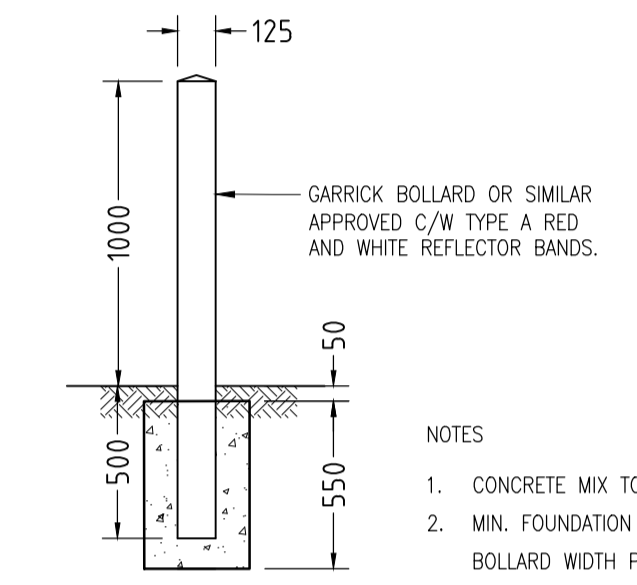
TYPICAL NON-ILLUMINATED SIGN FOUNDATION DETAIL
SCALE 1:20



TYPICAL FOOTPATH CROSS SECTION ADJACENT TO ROAD
SCALE 1:50

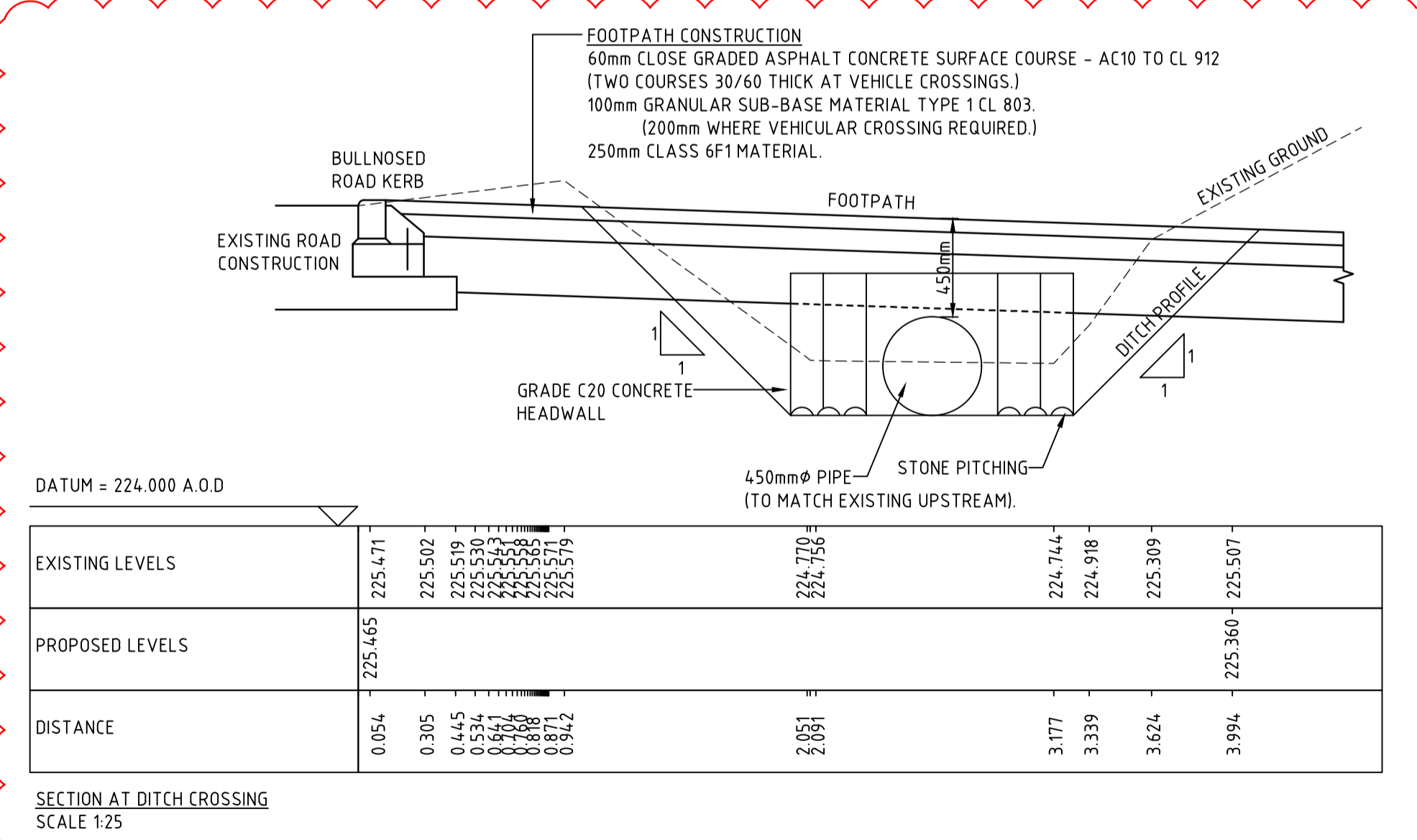


FIELD ACCESS CONSTRUCTION MAKE-UP
SCALE 1:20



TIMBER BOLLARD DETAIL
SCALE 1:25

- NOTES
1. CONCRETE MIX TO 25N.
 2. MIN. FOUNDATION SIZE IS THE BOLLARD WIDTH PLUS 200mm.



SECTION AT DITCH CROSSING
SCALE 1:25



Signing Project	Speyside Way	Width (mm)	430	Background	Blue
Sign Reference	956	Height (mm)	430	Border	White
x Height	100.0	Area (m ²)	0.15	Legend	White
Material	Class RA2				

Structural Calculation Details

Signs:

Reference: 956
Width: 450mm, Height: 450mm
Shape: Roundel
Orientation: Facing front
Mounted on posts: 1
Mounting height: 2300mm, at post

Posts:

Quantity: 1
Type: 76.1 x 3.2 CHS
Spacing: N/A
Post 1 Length: 3250mm

Base:

Type: Combined
Width: 850mm
Length: 1050mm
Depth: 350mm
Volume: 0.31cu.m
Earth cover: 150mm
Blinding layer: 150mm

Do not scale from this drawing.

SAFETY HEALTH AND ENVIRONMENTAL INFORMATION

IN ADDITION TO THE HAZARD/RISKS NORMALLY ASSOCIATED WITH THE TYPES OF WORK DETAILED ON THIS DRAWING, NOTE THE FOLLOWING RISKS AND INFORMATION.

RISKS LISTED HERE ARE NOT EXHAUSTIVE. REFER TO DESIGN ASSESSMENT FORM NO.

CONSTRUCTION
IT IS ASSUMED THAT ALL WORKS WILL BE CARRIED OUT BY A COMPETENT CONTRACTOR WORKING, WHERE APPROPRIATE, TO AN APPROVED METHOD STATEMENT.

DEMOLITION
NOT APPLICABLE.

FOR INFORMATION RELATING TO USE, CLEANING AND MAINTENANCE SEE THE HEALTH AND SAFETY FILE.

IT IS ASSUMED THAT ALL WORKS WILL BE CARRIED OUT BY A COMPETENT CONTRACTOR WORKING, WHERE APPROPRIATE, TO AN APPROVED METHOD STATEMENT.

Rev.	Date	Description	Drawn	Checked	Approved
D	08/01/19	SECTION AT DITCH CROSSING ADDED. PIPE SURROUND/BEDDING DETAIL ADDED. PIPE HEADWALL DETAILS AMENDED.	CF	RMcD	RMcD
C	13/12/18	PIPE HEADWALL DETAIL ADDED.	NS	CF	RMcD
B	26/10/18	TYPICAL FOOTPATH CROSS SECTION ADDED. FIELD ACCESS CONSTRUCTION MAKE-UP ADDED.	CF	RMcD	RMcD
A	23/07/18	SCALE BARS ADDED.	CF	RMcD	RMcD

This is the plan / drawing / specification referred to in the application

Signed

Dated

For Fairhurst

Client:

OUTDOOR ACCESS TRUST FOR SCOTLAND

Project Title:

PROPOSED SPEYSIDE WAY FOOTPATH FROM INSH HIDE TO RUTHVEN BARRACK AT KINGUSSIE

Project Title:

CONSTRUCTION DETAILS

FAIRHURST

88 Queens Road, ABERDEEN, AB15 4YQ
Tel: 01224 321 222 Fax: 01224 323 201

Scale at A1: AS SHOWN
Status: For Approval

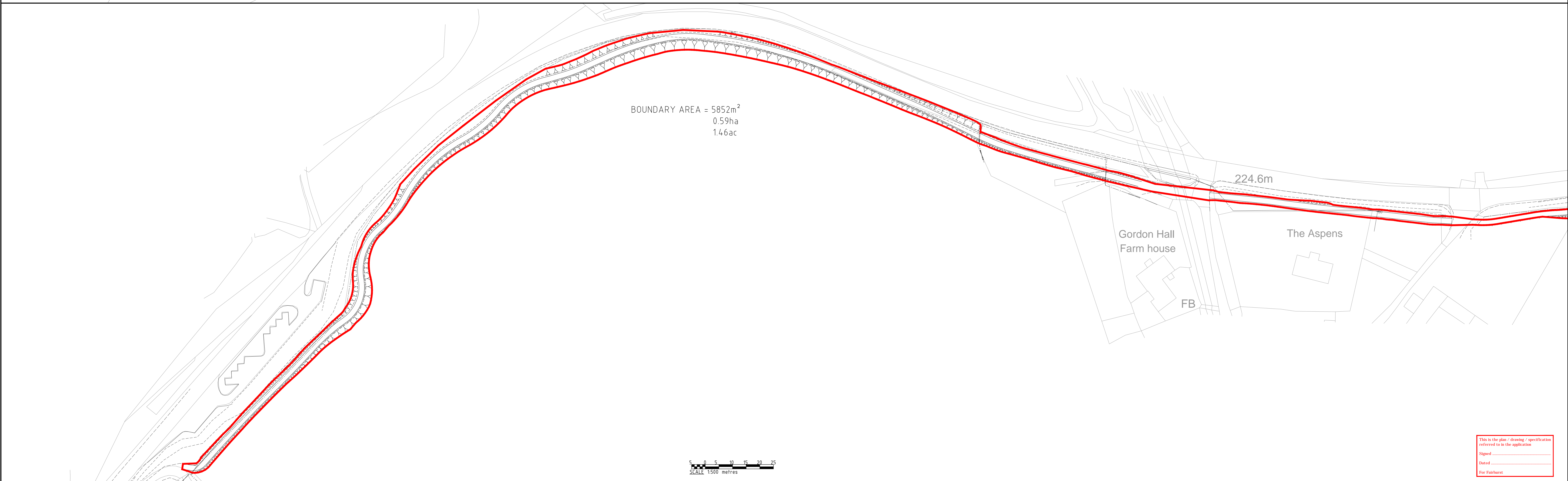
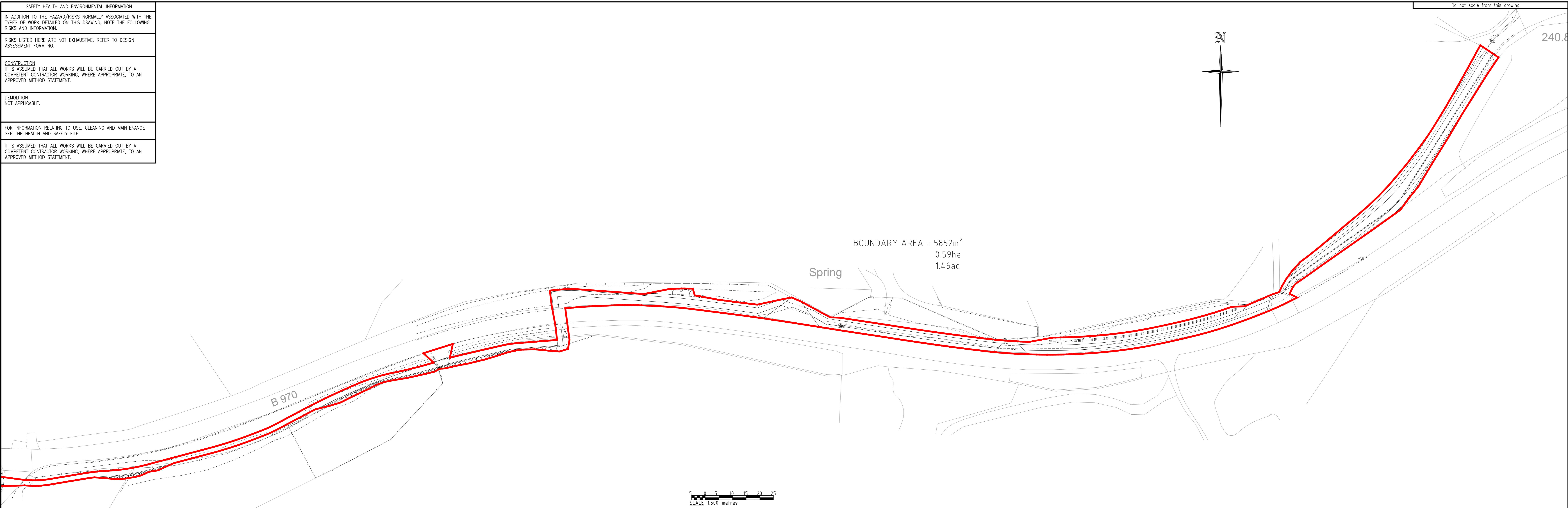
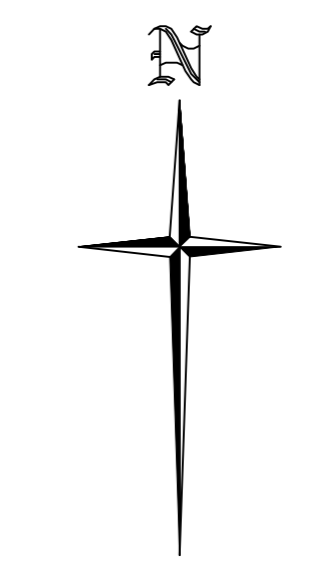
Drawn: CF
Checked: RMcD
Approved: RMcD

Date: 12/07/18
Date: 12/07/18
Date: 12/07/18

Drawing No.: 125517/1005
Revision: D

SAFETY HEALTH AND ENVIRONMENTAL INFORMATION
IN ADDITION TO THE HAZARD/RISKS NORMALLY ASSOCIATED WITH THE TYPES OF WORK DETAILED ON THIS DRAWING, NOTE THE FOLLOWING RISKS AND INFORMATION.
RISKS LISTED HERE ARE NOT EXHAUSTIVE. REFER TO DESIGN ASSESSMENT FORM NO.
CONSTRUCTION IT IS ASSUMED THAT ALL WORKS WILL BE CARRIED OUT BY A COMPETENT CONTRACTOR WORKING, WHERE APPROPRIATE, TO AN APPROVED METHOD STATEMENT.
DEMOLITION NOT APPLICABLE.
FOR INFORMATION RELATING TO USE, CLEANING AND MAINTENANCE SEE THE HEALTH AND SAFETY FILE.
IT IS ASSUMED THAT ALL WORKS WILL BE CARRIED OUT BY A COMPETENT CONTRACTOR WORKING, WHERE APPROPRIATE, TO AN APPROVED METHOD STATEMENT.

Do not scale from this drawing.



This is the plan / drawing / specification referred to in the application.
Signed _____
Dated _____
For Fairhurst

Rev	Date	Description	Drawn	Checked	Approved
A	23/07/18	SCALE BARS ADDED.	CF	RMcD	RMcD

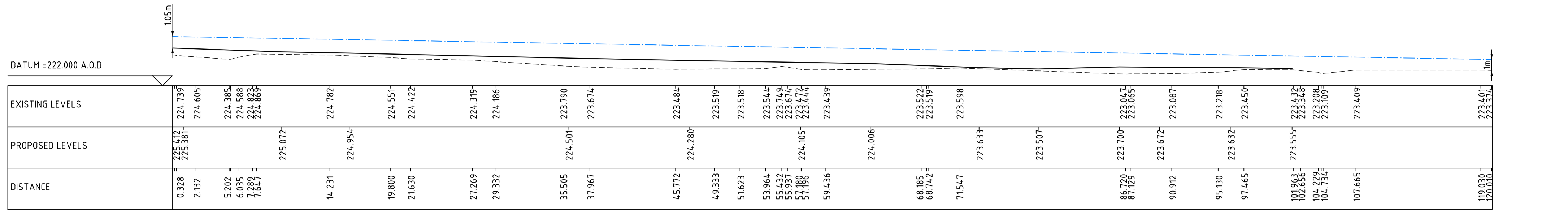
Project Title:
**PROPOSED SPEYSIDE WAY
FOOTPATH FROM INSH HIDE
TO RUTHVEN BARRACK
AT KINGUSSIE**

Client:
**OUTDOOR
ACCESS TRUST
FOR SCOTLAND**

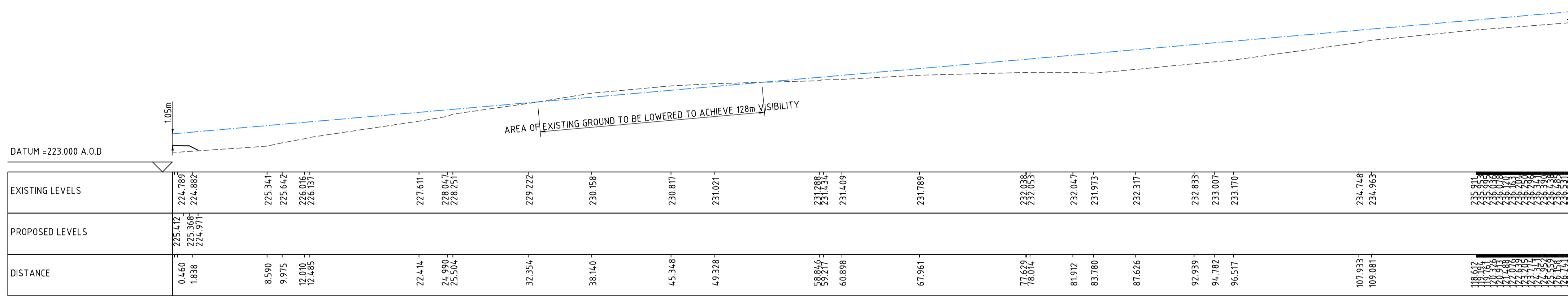
Project File:
PLANNING APPLICATION BOUNDARY

FAIRHURST
88 Queens Road,
BRIGHTON, BN1 4JQ
Tel: 01274 321 222 Fax: 01274 323 201

Scale of A2: 1:500	Date: For Approval
Drawn: CF	Checked: RMcD
Date: 12/07/18	Date: 12/07/18
Drawn By:	Checked By:
125517/1006	A

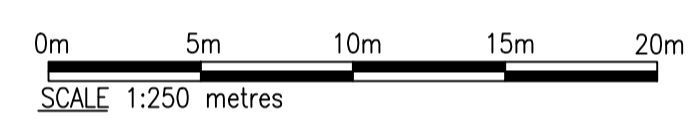


SECTION: LEFT SIDE
SCALE 1:250



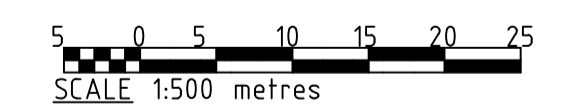
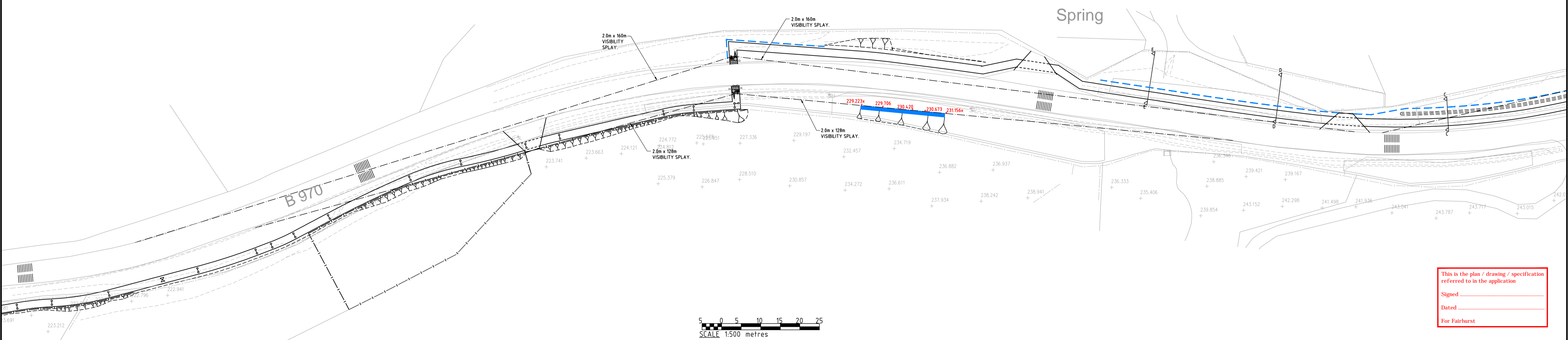
SECTION: RIGHT SIDE
SCALE 1:250

LEGEND
 - - - - - EXISTING GROUND
 _____ PROPOSED GROUND
 - - - - - VISIBILITY SPLAY



Do not scale from this drawing.
SAFETY HEALTH AND ENVIRONMENTAL INFORMATION
 IN ADDITION TO THE HAZARD/RISKS NORMALLY ASSOCIATED WITH THE TYPES OF WORK DETAILED ON THIS DRAWING, NOTE THE FOLLOWING RISKS AND INFORMATION.
 RISKS LISTED HERE ARE NOT EXHAUSTIVE. REFER TO DESIGN ASSESSMENT FORM NO.
CONSTRUCTION
 IT IS ASSUMED THAT ALL WORKS WILL BE CARRIED OUT BY A COMPETENT CONTRACTOR WORKING, WHERE APPROPRIATE, TO AN APPROVED METHOD STATEMENT.
DEMOLITION
 NOT APPLICABLE.
 FOR INFORMATION RELATING TO USE, CLEANING AND MAINTENANCE SEE THE HEALTH AND SAFETY FILE.
 IT IS ASSUMED THAT ALL WORKS WILL BE CARRIED OUT BY A COMPETENT CONTRACTOR WORKING, WHERE APPROPRIATE, TO AN APPROVED METHOD STATEMENT.

- NOTES**
1. THE COPYRIGHT OF THIS DRAWING SUBSISTS WITH FAIRHURST.
 2. THIS DRAWING SHOULD BE READ IN CONJUNCTION WITH ALL RELEVANT ARCHITECTS & ENGINEERS DRAWINGS AND SPECIFICATIONS.
 3. THE CONTRACTOR IS RESPONSIBLE FOR CHECKING THE LINE AND LEVEL OF EXISTING SERVICES PRIOR TO WORKS COMMENCING. ANY DISCREPANCIES FROM DESIGN INFORMATION MUST BE REPORTED BACK TO THE ENGINEER IMMEDIATELY FOR ACTION.
 4. THIS DRAWING SHOULD ONLY BE USED FOR CONSTRUCTION PURPOSES WHEN THE ISSUE STATUS IS 'CONSTRUCTION'.
 5. THE CONTRACTOR WILL BE RESPONSIBLE FOR ALL COSTS INVOLVED IN CHANGES OR MODIFICATIONS REQUESTED AND APPROVED, TO SUIT HIS PREFERRED WORK METHOD.
 6. LARGE SCALE DETAILS TAKE PRECEDENCE OVER SMALL SCALE DETAILS.
 7. DO NOT SCALE.
 8. IF IN DOUBT, ASK.



This is the plan / drawing / specification referred to in the application
 Signed _____
 Dated _____
 For Fairhurst

Rev.	Date	Description	Drawn	Checked	Approved
A	14/12/18	VISIBILITY SECTIONS UPDATED.	NS	CF	RMcd

Client: **OUTDOOR ACCESS TRUST FOR SCOTLAND**

Project Title: **PROPOSED SPEYSIDE WAY FOOTPATH FROM INSH HIDE TO RUTHVEN BARRACK AT KINGUSSIE**

Drawing Title: **FOOTWAY VISIBILITY SPLAY LONGITUDINAL SECTIONS**

Scale at A1: 1:250

Status: For Approval

Drawn: NS
 Checked: CF
 Date: 18/10/18

Approved: RMcd
 Date: 18/10/18

Drawing No.: 125517/1007

Revision: A

FAIRHURST

88 Queens Road,
 ABERDEEN, AB15 4YQ
 Tel: 01224 321 222 Fax: 01224 323 201

This is the plan / drawing / specification referred to in the application
 Signed
 Dated
 For Fairhurst

Do not scale from this drawing.

SAFETY HEALTH AND ENVIRONMENTAL INFORMATION

IN ADDITION TO THE HAZARD/RISKS NORMALLY ASSOCIATED WITH THE TYPES OF WORK DETAILED ON THIS DRAWING, NOTE THE FOLLOWING RISKS AND INFORMATION.

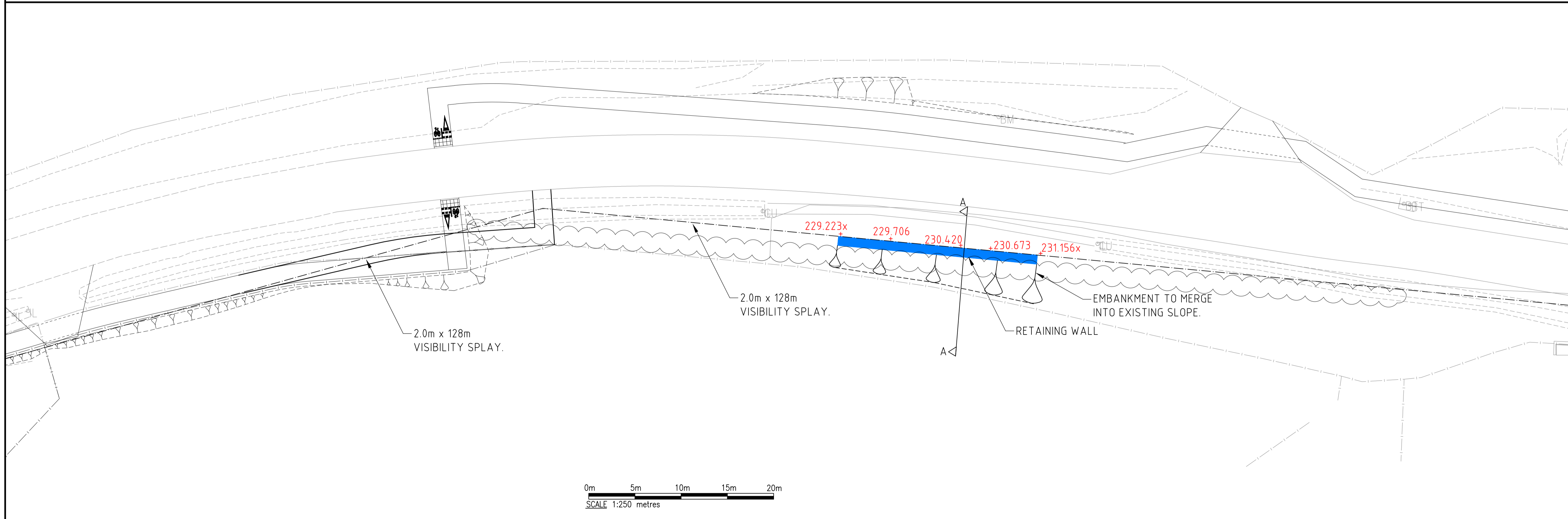
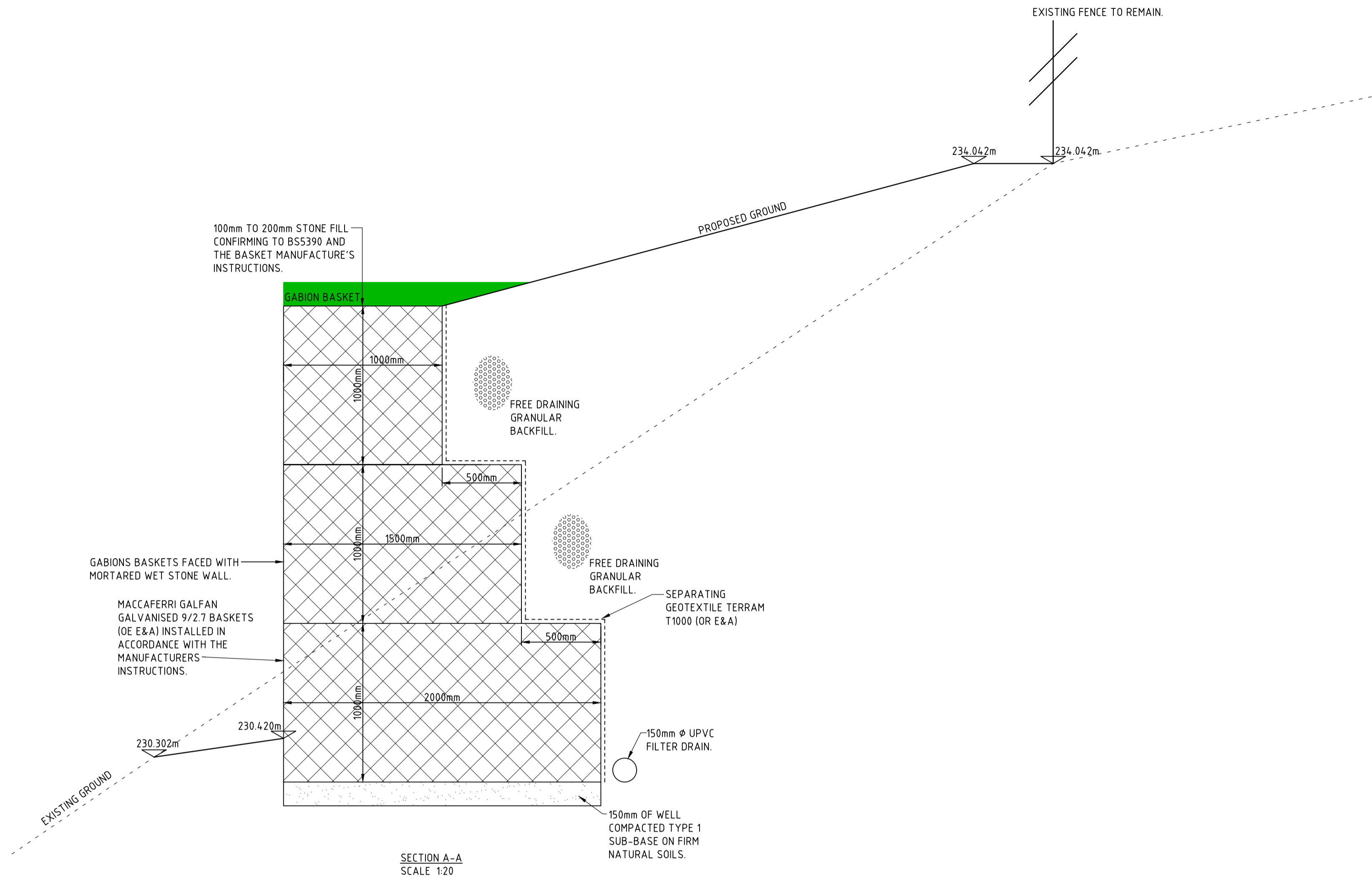
RISKS LISTED HERE ARE NOT EXHAUSTIVE. REFER TO DESIGN ASSESSMENT FORM NO.

CONSTRUCTION
 IT IS ASSUMED THAT ALL WORKS WILL BE CARRIED OUT BY A COMPETENT CONTRACTOR WORKING, WHERE APPROPRIATE, TO AN APPROVED METHOD STATEMENT.

DEMOLITION
 NOT APPLICABLE.

FOR INFORMATION RELATING TO USE, CLEANING AND MAINTENANCE SEE THE HEALTH AND SAFETY FILE.

IT IS ASSUMED THAT ALL WORKS WILL BE CARRIED OUT BY A COMPETENT CONTRACTOR WORKING, WHERE APPROPRIATE, TO AN APPROVED METHOD STATEMENT.



Rev.	Date	Description	Drawn	Chkd	Appd.
FAIRHURST					
88 Queens Road ABERDEEN AB15 4YQ Tel: 01224 321222 Fax: 01224 323201					
OUTDOOR ACCESS TRUST FOR SCOTLAND					
Project Title: PROPOSED SPEYSIDE WAY FOOTPATH FROM INSH HIDE TO RUTHVEN BARRACK AT KINGUSSIE					
Drawing Title: RETAINING WALL SECTION AT UNCONTROLLED PEDESTRIAN CROSSING POINT					
Scale at A1: AS SHOWN			Status: For Approval		
Drawn: NS		Checked: CF		Approved: RMcD	
Date: 06/12/18		Date: 06/12/18		Date: 06/12/18	
Drawing No.: 125517/1008					Revision: -