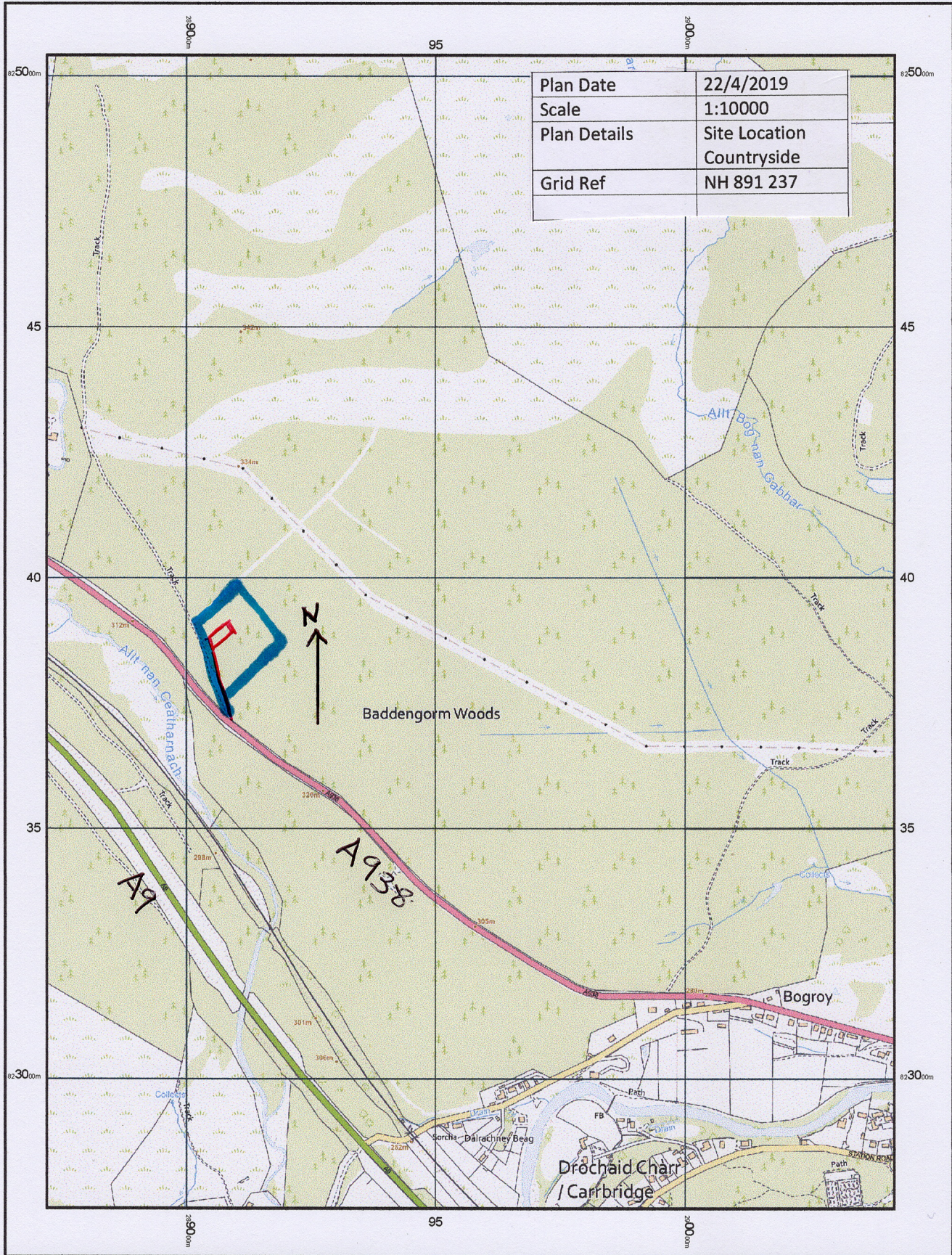


AGENDA ITEM 6

APPENDIX I

2019/0134/DET

PLANS

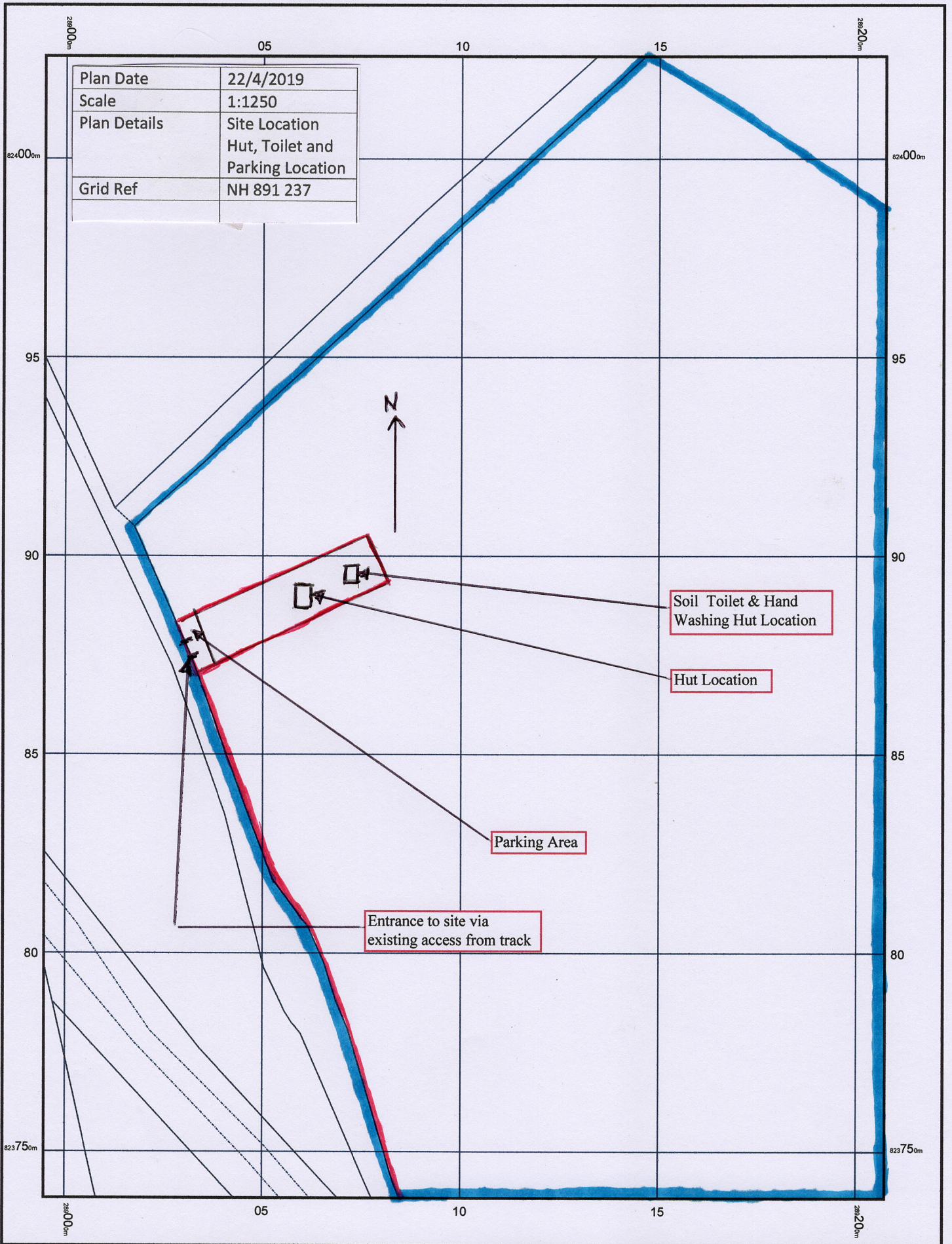


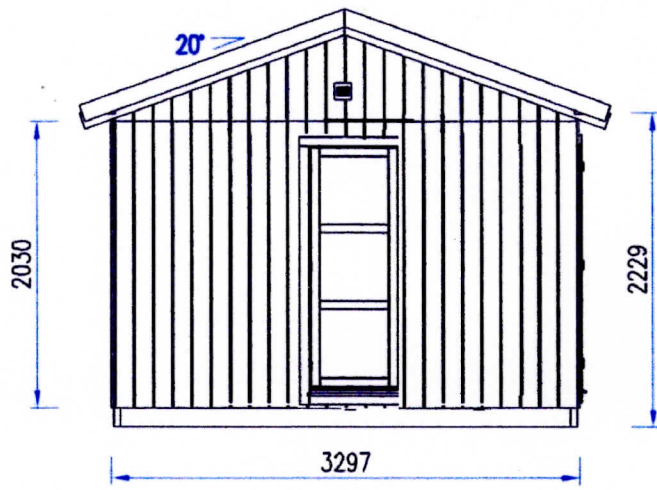
© Crown copyright and database rights 2019 Ordnance Survey 100048957.
 The representation of road, track or path is no evidence of a boundary or right of way. The representation of features as lines is no evidence of a property boundary.

250m
Scale 1:10000

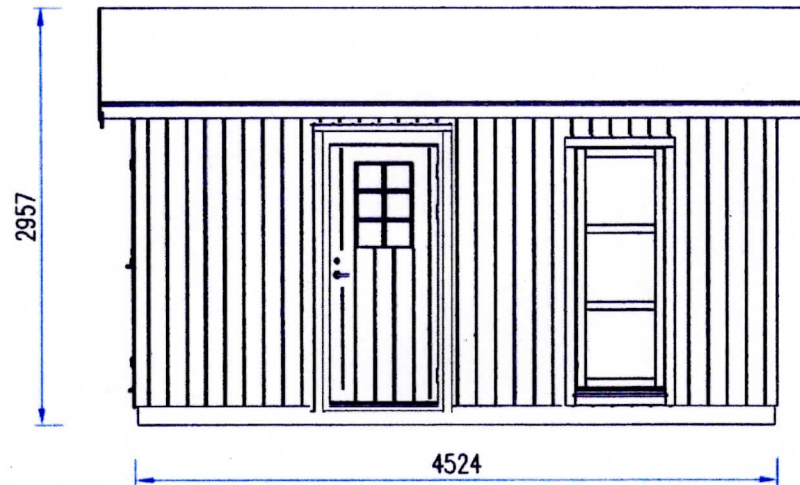


Supplied by: www.ukmapcentre.com
 Serial No: 160665
 Centre Coordinates: 289570, 823891
 Production Date: 18/04/2019 15:53:18

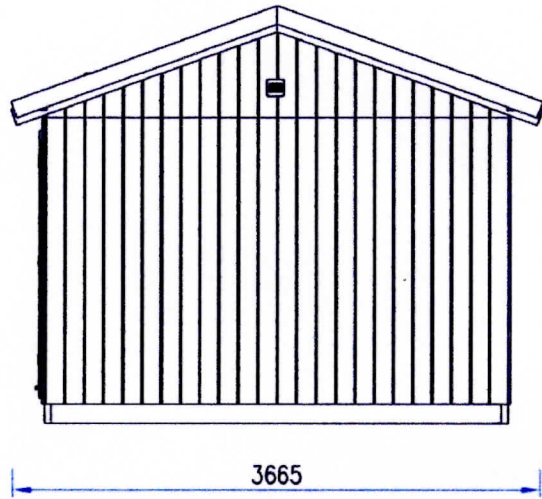




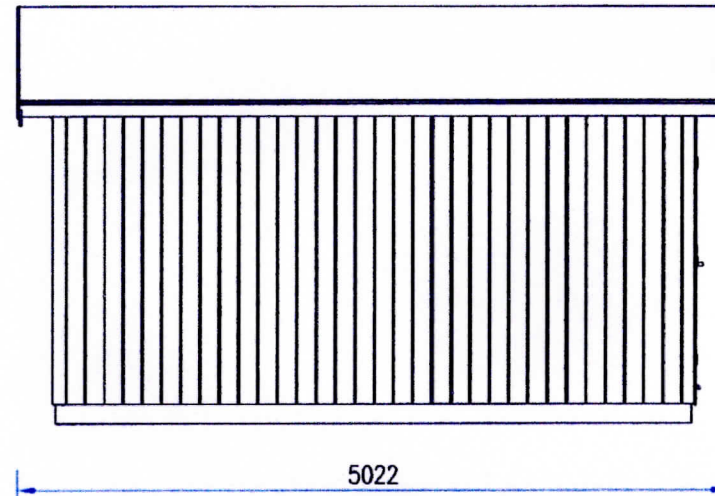
South Elevation



East Elevation



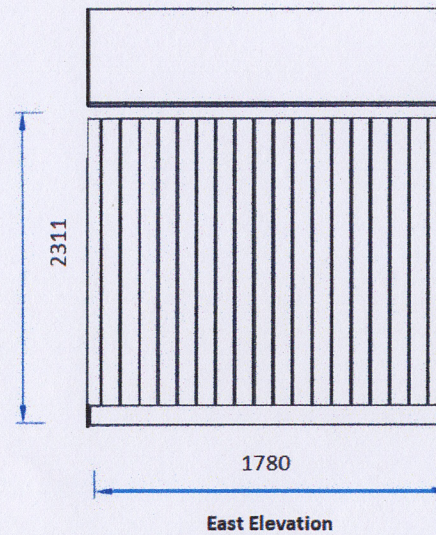
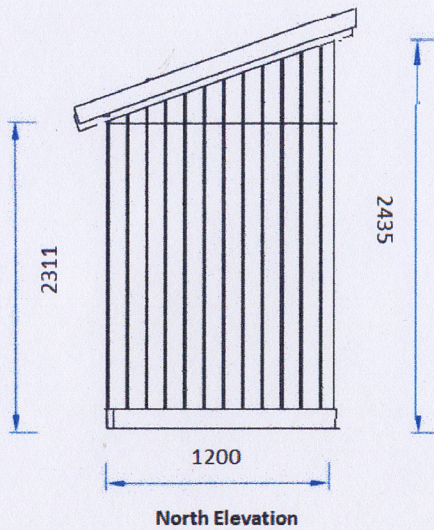
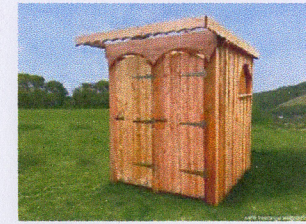
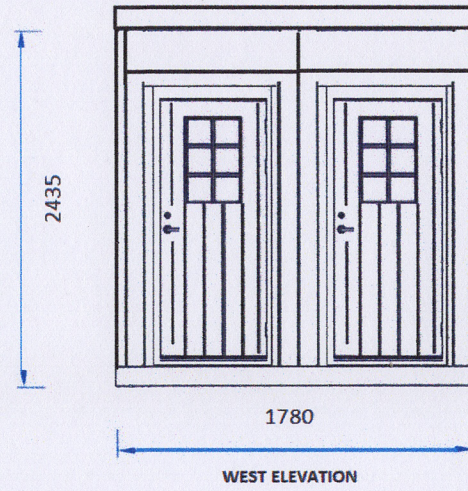
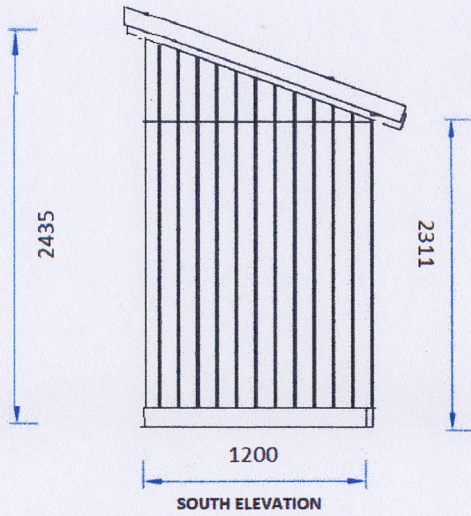
North Elevation



West Elevation

Proposed Hut
Gabhean Wood

March 2019



Proposed Hut
 Gabhean Wood
 Compost Toilet & Hand Wash Room
 April 2019

Plan Date	22/4/2019
Scale	NTS
Plan Details	Soil Toilet and Wash Basin Dimensions
Grid Ref	NH 891 237